

PLEASE CHECK WWW.MOLEX.COM FOR LATEST PART INFORMATION

Part Number: [0352820810](#)
Status: **Active**
Description: 2.28mm Tab Wire-to-Wire Uniconn Housing, Male, 8 Circuits

Documents:

[3D Model](#) [Product Specification PS-35282-001 \(PDF\)](#)
[Drawing \(PDF\)](#) [RoHS Certificate of Compliance \(PDF\)](#)

General

| | |
|----------------|-----------------------|
| Product Family | Crimp Housings |
| Series | 35282 |
| Application | Power, Wire-to-Wire |
| Product Name | Uniconn |

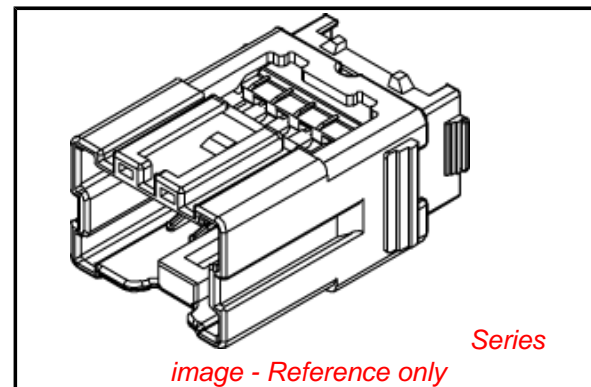
Physical

| | |
|-------------------------------|----------------|
| Circuits (maximum) | 8 |
| Color - Resin | Black, Natural |
| Gender | Male |
| Glow-Wire Compliant | No |
| Material - Resin | Polyester |
| Number of Rows | 2 |
| Packaging Type | Bag |
| Panel Mount | No |
| Pitch - Mating Interface | 3.81mm |
| Temperature Range - Operating | -40°C to +80°C |

Material Info

Reference - Drawing Numbers

| | |
|-----------------------|---------------|
| Product Specification | PS-35282-001 |
| Sales Drawing | SD-35282-0810 |



EU RoHS

ELV and RoHS Compliant
REACH SVHC
Contains SVHC: Yes

China RoHS



Tris(2-chloroethyl)phosphate (TCEP)
Diarsenic pentaoxide
Diarsenic trioxide
2,4-Dinitrotoluene
Aluminosilicate,
Refractory ceramic fibers
Zironia
Aluminosilicate,
Refractory ceramic fiber

Low-Halogen Status

Low-Halogen

Need more information on product environmental compliance?

Email productcompliance@molex.com
For a multiple part number RoHS Certificate of Compliance, [click here](#)

Please visit the [Contact Us](#) section for any non-product compliance questions.

Search Parts in this Series

[35282Series](#)

Mates With

[35284](#)

Use With

[35420](#) , [35421](#)

PLEASE CHECK WWW.MOLEX.COM FOR LATEST PART INFORMATION