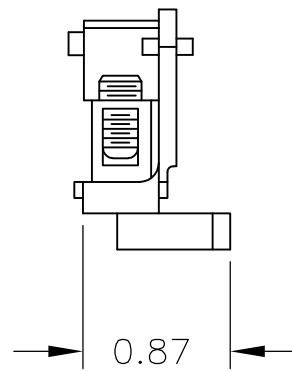
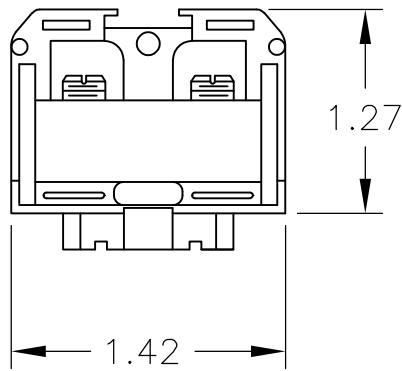


LOC	DIST	REVISIONS					
—	—	P	LTR	DESCRIPTION	DATE	DWN	APVD
			A	REDRAWN PER ECO-08-023052	29SEP08	HMR	SM

△ 1 MATERIAL: NYLON



THIS DRAWING IS UNPUBLISHED.

ALL INTERNATIONAL RIGHTS RESERVED.

BY TYCO ELECTRONICS CORPORATION.

© COPYRIGHT

DIMENSIONS: INCHES	DWN	29SEP08	MATERIAL	△ 1	FINISH	—
	CHK	29SEP08	Tyco Electronics Corporation Harrisburg, PA 17105-3608			
TOLERANCES UNLESS OTHERWISE SPECIFIED:	APVD	29SEP08				
0 PLC ± -	PRODUCT SPEC	—	NAME			
1 PLC ± -	APPLICATION SPEC	—	HEAVY DUTY, T.C NYLON			
2 PLC ± -	WEIGHT	—	SIZE	CAGE CODE	DRAWING NO	RESTRICTED TO
3 PLC ± -			A4	00779	④ 4-1437390-1	—
4 PLC ± -			CUSTOMER DRAWING			SCALE 1:1
ANGLES ± -						SHEET 1 OF 1
						REV A

