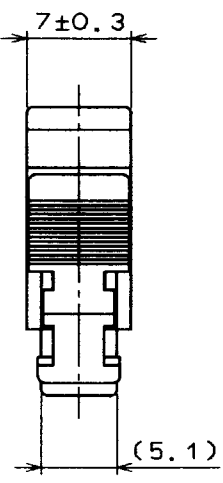
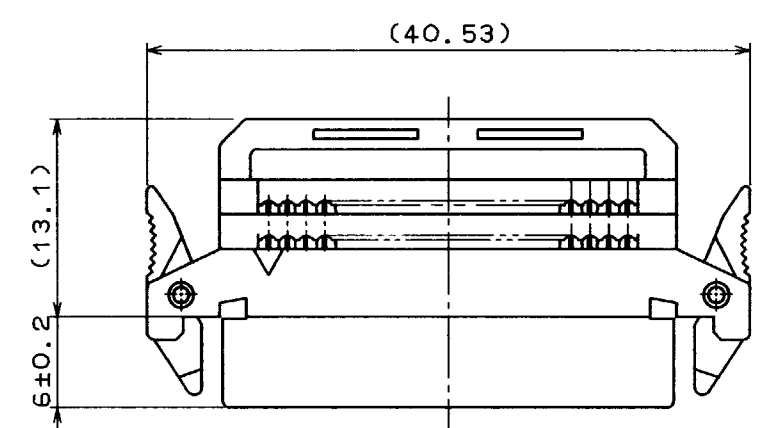
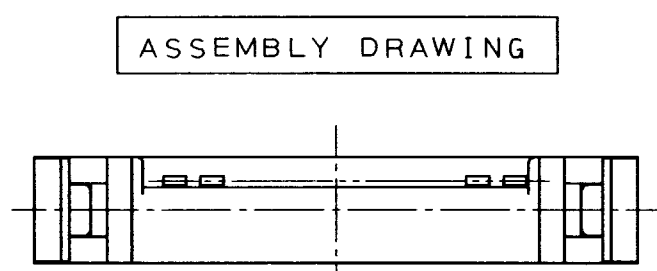
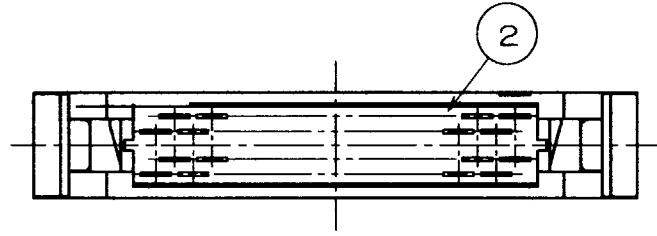
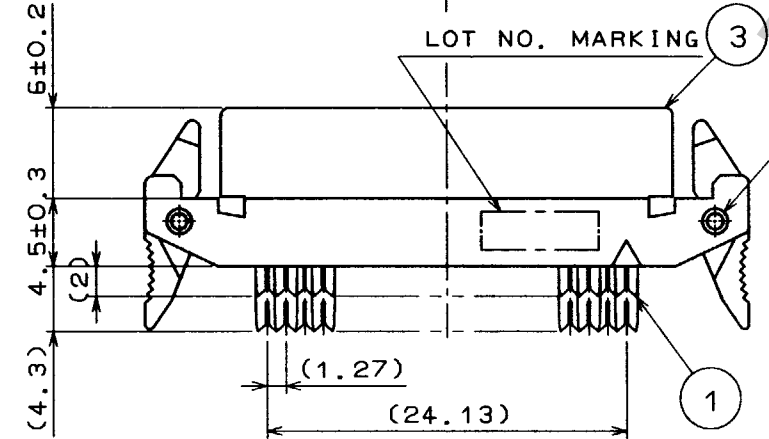
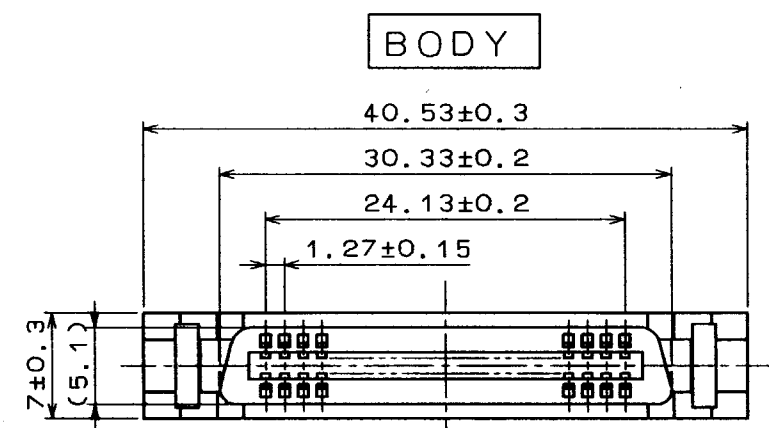
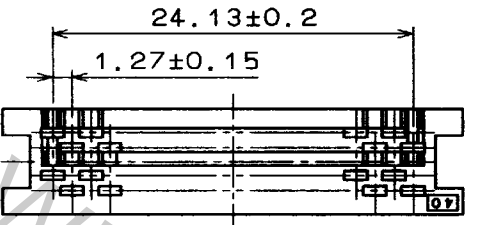
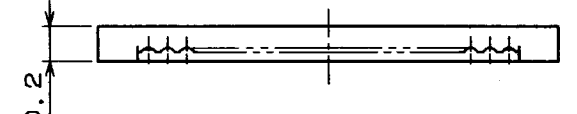
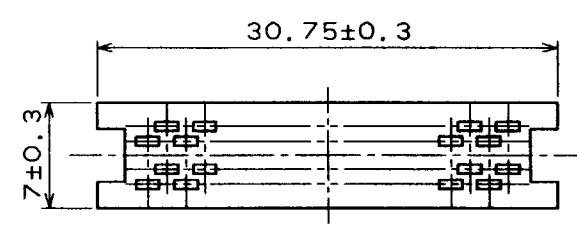


Apr.1.2017 Copyright 2017 HIROSE ELECTRIC CO., LTD. All Rights Reserved.

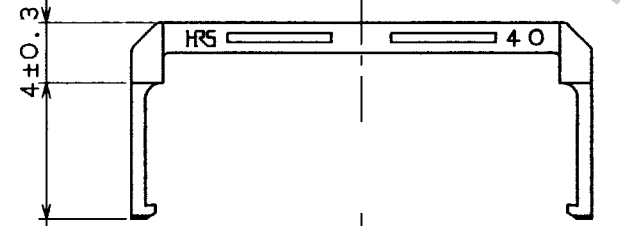
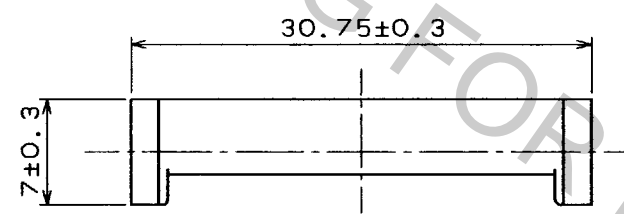
COUNT	DESCRIPTION OF REVISIONS	BY	CHKD	DATE	COUNT	DESCRIPTION OF REVISIONS	BY	CHKD	DATE



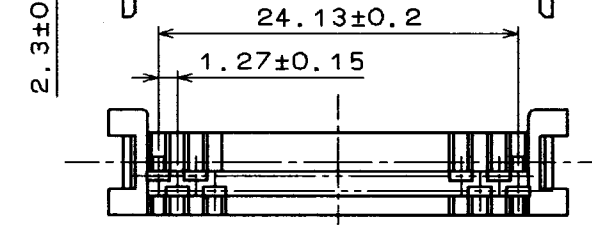
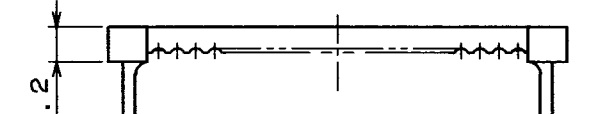
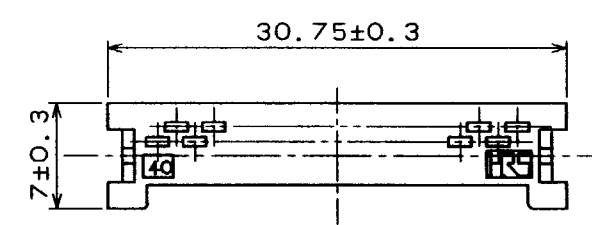
**PROTECTOR (A)**



**CABLE CLAMP**



**PROTECTOR (B)**



**ASSEMBLY DRAWING**

**NOTE**

- 1 NO.1~6 ARE ATTACHED PARTS.
- 2 CONTACT AREA : GOLD FLASH OVER NICKEL  
HARNESS AREA : NICKEL PLATED

4	PBT	BLACK UL94V-0	8	POLYAMIDE	BLACK UL94V-0
3	PBT	BLACK UL94V-0	7	PBT	BLACK UL94V-0
2	PBT	BLACK UL94V-0	6	PBT	BLACK UL94V-0
1	PHOSPHOR BRONZE	2	5	SUS	
NO.	MATERIAL	FINISH, REMARKS	NO.	MATERIAL	FINISH, REMARKS

CODE NO. (OLD)	DRAWN	DESIGNED	CHECKED	APPROVED	RELEASED
	J. Takada	Takada	H. Obara	M. Yamaguchi	
	97.5.9	97.5.9	97.05.09	97.05.09	

SCALE 2 : 1	DRAWING NO. EDC3-150612	PART NO. FX2B-40SA-1.27R
UNITS mm	<b>HRS</b> HIROSE ELECTRIC CO., LTD.	CODE NO. CL572-0623-8

TO
PCM