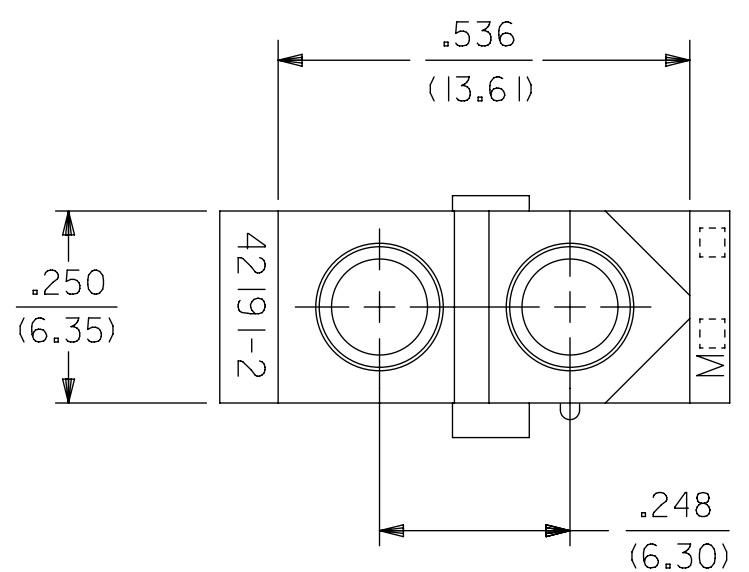
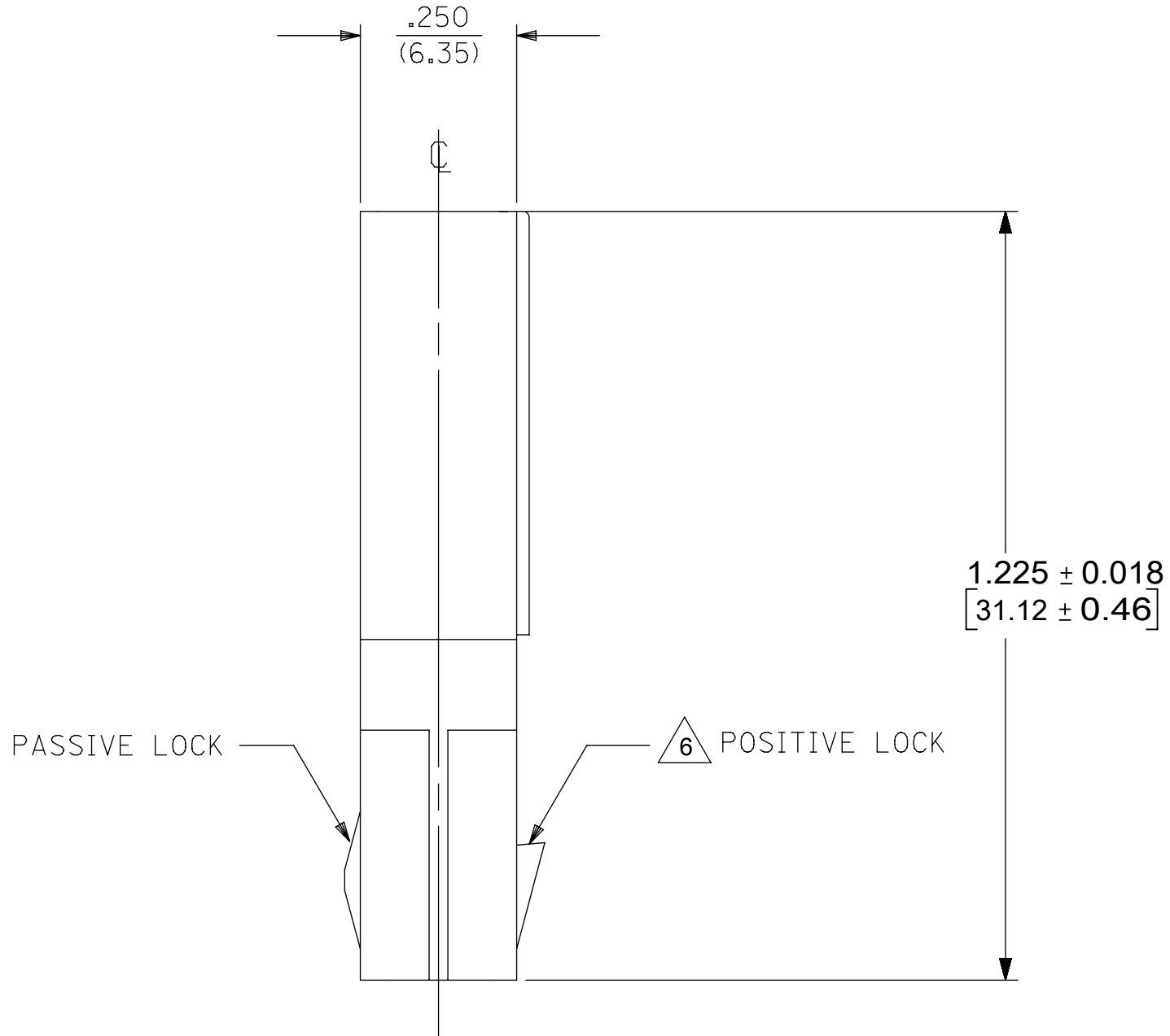
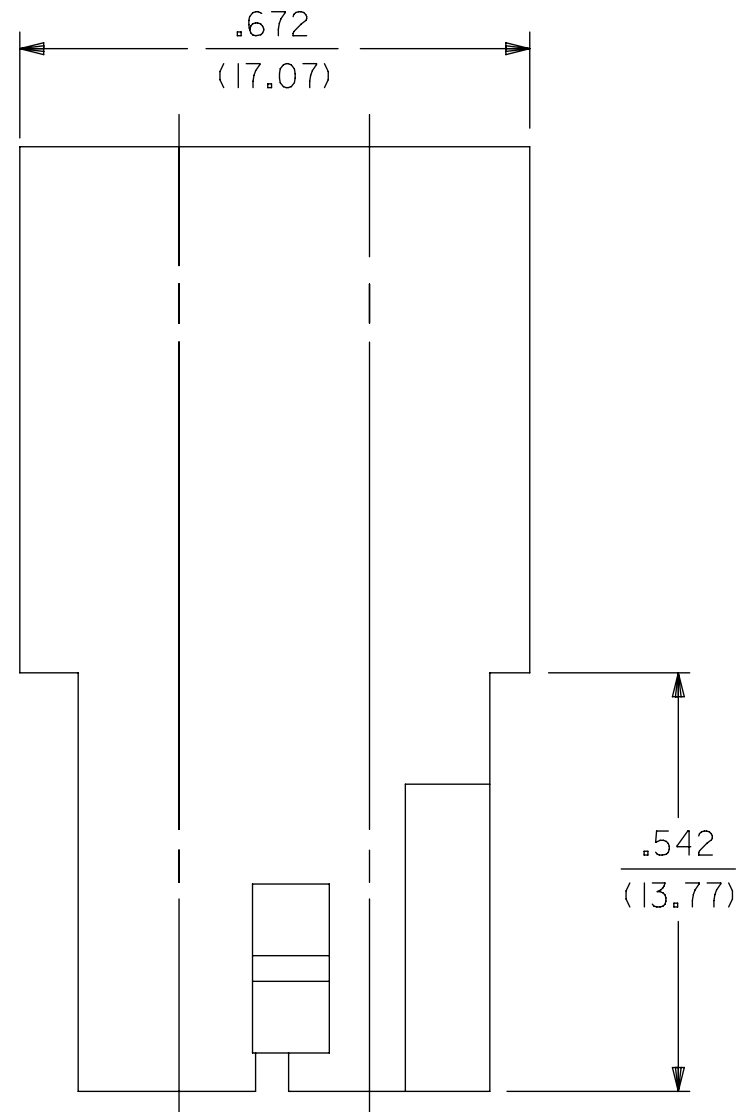
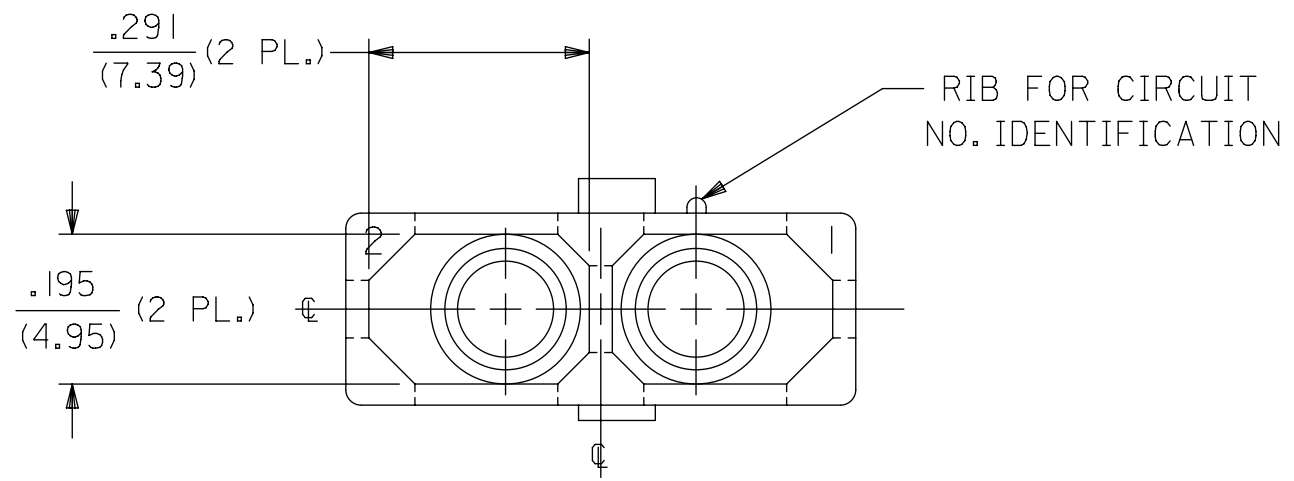


## PLUG HOUSING

<b>QUALITY SYMBOLS</b> 	THIS DRAWING CONTAINS INFORMATION THAT IS PROPRIETARY TO MOLEX ELECTRONIC TECHNOLOGIES, LLC AND SHOULD NOT BE USED WITHOUT WRITTEN PERMISSION												
	EC NO: 101710 DRWN: MKIPPER CHKD: JBELL REV: APPR: FSMITH	2015/11/09 2015/11/13 2015/11/13			<b>GENERAL TOLERANCES (UNLESS SPECIFIED)</b> ANGULAR TOL $\pm 1.0^\circ$			DIMENSION UNITS: IN/MM SCALE: 4:1					
		4 PLACES $\pm$		AELHAG		DATE: 09/24/2007							
		3 PLACES $\pm 0.01$		CHKD BY: LSCHEMIDT		DATE: 09/24/2007							
		2 PLACES $\pm 0.014$		APPR BY: FSMITH		DATE: 2014/12/18							
		1 PLACE $\pm$		DRAWING SIZE: C		THIRD ANGLE PROJECTION							
	0 PLACES $\pm$		DRAFT WHERE APPLICABLE MUST REMAIN WITHIN DIMENSIONS				SERIES: 42191 MATERIAL NUMBER: SEE CHART CUSTOMER: GENERAL MARKET						
	PRODUCT CUSTOMER DRAWING		DOCUMENT NUMBER: SD-42191-002		DOC TYPE: PSD DOC PART: 000		SHEET NUMBER: 1 OF 3						
	RELEASE STATUS: P1 RELEASE DATE: 13.11.2015 21:45:58												



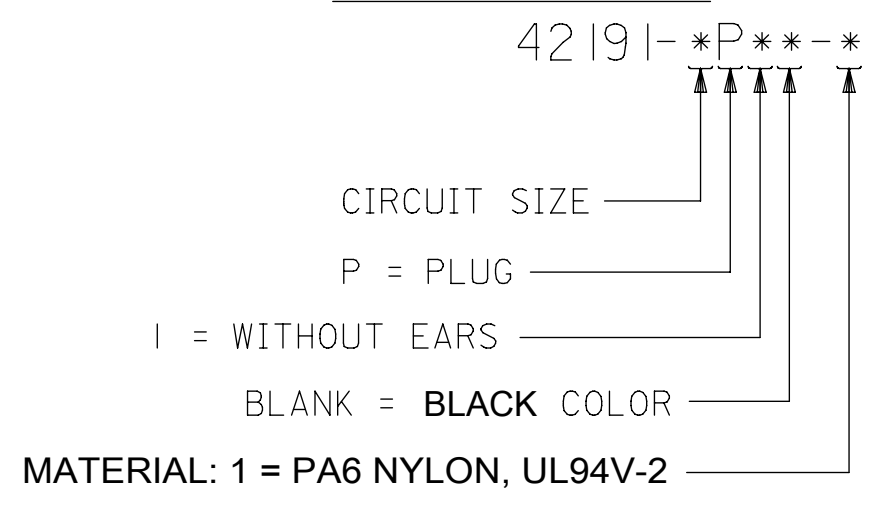
### RECEPTACLE HOUSING

QUALITY SYMBOLS		THIS DRAWING CONTAINS INFORMATION THAT IS PROPRIETARY TO MOLEX ELECTRONIC TECHNOLOGIES, LLC AND SHOULD NOT BE USED WITHOUT WRITTEN PERMISSION									
$\nabla$ = 0	EC NO: 101710 DRWN: MKIPPER CHKD: JBELL REV / APPR: FSMITH	GENERAL TOLERANCES (UNLESS SPECIFIED)				DIMENSION UNITS	SCALE				
$\nabla$ = 0		ANGULAR TOL $\pm 1.0^\circ$				IN/MM	4:1				
$\nabla$ = 0		4 PLACES $\pm$				DRWN BY	DATE	.093/(2.36) HOUSING G.W. PLUG AND RECEPTACLE 2 CIRCUIT			
$\blacktriangledown$ = 0		3 PLACES $\pm 0.01$				AELHAG	09/24/2007				
$\nabla$ = 0		2 PLACES $\pm 0.014$				CHKD BY	DATE	PRODUCT CUSTOMER DRAWING			
$\square$ = 0		1 PLACE $\pm$				LSCHEMIDT	09/24/2007				
$\blacksquare$ = 0		0 PLACES $\pm$				APPR BY	DATE	SERIES MATERIAL NUMBER CUSTOMER 42191 SEE CHART GENERAL MARKET			
$\nabla$ = 0		DRAFT WHERE APPLICABLE MUST REMAIN WITHIN DIMENSIONS				FSMITH	2014/12/18				
			DRAWING SIZE		THIRD ANGLE PROJECTION		DOCUMENT NUMBER		DOC TYPE	DOC PART	SHEET NUMBER
			C				SD-42191-002		PSD	000	2 OF 3

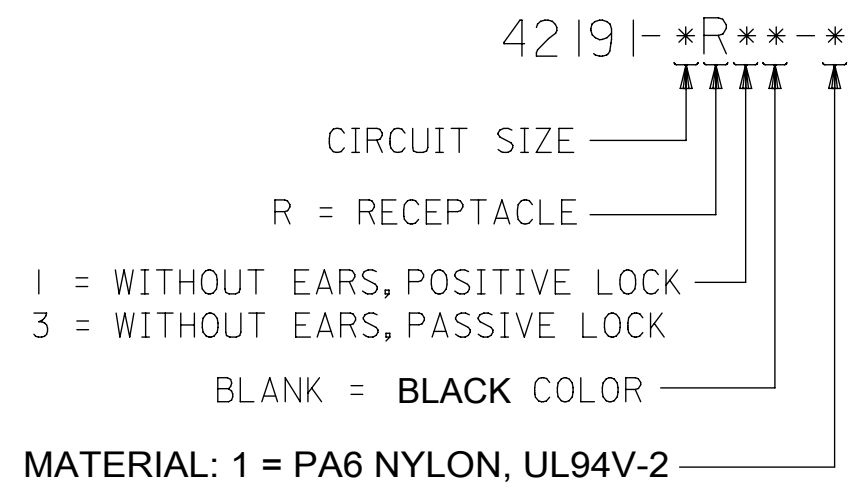
PLUG	
PART NO.	ENG. NO.
50-36-1688	42191-2P1-1

RECEPTACLE	
PART NO.	ENG. NO.
50-36-1687	42191-2R1-1

LEGEND: PLUG



LEGEND: RECEPTACLE



- NOTES:
1. MATERIAL: 1 = UL94V-2, PA6 NYLON, GLOW WIRE CAPABLE, PER IEC 60335-1.
  2. FINISH: NONE.
  3. PRODUCT SPECIFICATION: NONE.
  4. PACKAGING INFORMATION: NONE.
  5. PART ACCEPTS DOUBLE WIRE CRIMPS OF 18 AWG MAXIMUM. EACH CIRCUIT WILL ALLOW ONE OF THE WIRES TO HAVE AN INSULATION THICKNESS OF .062/(1.57), THE OTHER HAVING AN INSULATION THICKNESS OF .031/(0.79).
  6. LOCK RAMP STYLE IS OPTIONAL ON THIS SIDE OF PART. CHOICE OF EITHER A POSITIVE LOCK RAMP OR A PASSIVE LOCK RAMP IS AVAILABLE.
  7. PARTS CONFORM TO CLASS 'B' REQUIREMENTS OF COSMETIC SPECIFICATION PS-45499-002 BUT, MEETS CLASS 'C' REQUIREMENTS FOR SINK AND DISCOLORATION.

<b>QUALITY SYMBOLS</b> ▽ = 0 ▽ = 0 ▽ = 0 ▼ = 0 ▽ = 0 ☒ = 0 ■ = 0 ▽ = 0	THIS DRAWING CONTAINS INFORMATION THAT IS PROPRIETARY TO MOLEX ELECTRONIC TECHNOLOGIES, LLC AND SHOULD NOT BE USED WITHOUT WRITTEN PERMISSION											
	EC NO: 101710 DRWN: MKIPPER CHKD: JBELL REV / APPR: FSMITH	GENERAL TOLERANCES (UNLESS SPECIFIED) ANGULAR TOL ± 1.0 °			DIMENSION UNITS	SCALE						
		IN/MM		---	DRWN BY	DATE						
		4 PLACES ±		AELHAG	09/24/2007	CHKD BY	DATE	.093/(2.36) HOUSING G.W. PLUG AND RECEPTACLE 2 CIRCUIT				
		3 PLACES ± 0.01		LSCHEMIDT	09/24/2007	APPR BY	DATE					
		2 PLACES ± 0.014		FSMITH	2014/12/18	PRODUCT CUSTOMER DRAWING						
	1 PLACE ±		DRAWING SIZE			THIRD ANGLE PROJECTION	SERIES	MATERIAL NUMBER	CUSTOMER			
	0 PLACES ±		C			42191	SEE CHART	GENERAL MARKET				
	DRAFT WHERE APPLICABLE MUST REMAIN WITHIN DIMENSIONS					DOCUMENT NUMBER	DOC TYPE	DOC PART	SHEET NUMBER			
	B1					SD-42191-002	PSD	000	3 OF 3			