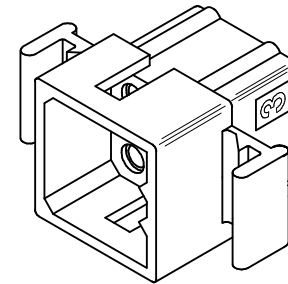
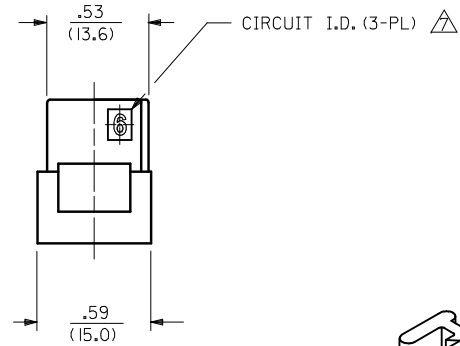
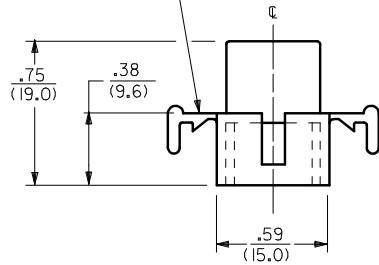
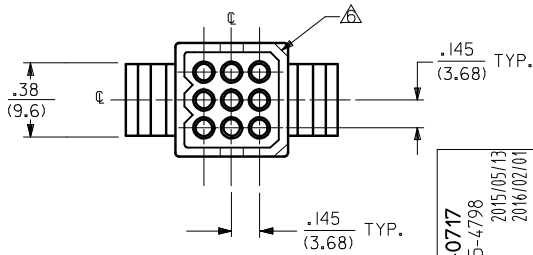


MOUNTING EAR
(WHEN SPECIFIED)
SEE DETAIL 3 OR 4
(2 PL.)



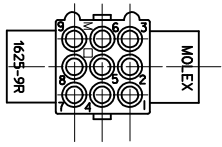
PLUG



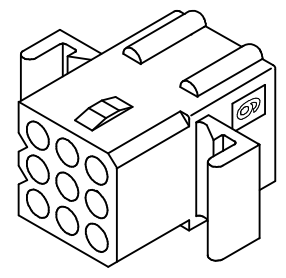
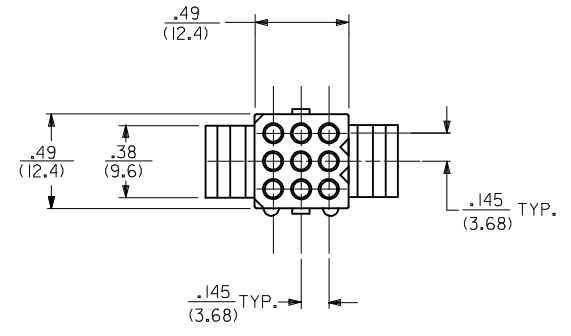
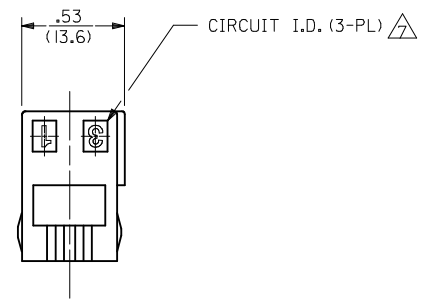
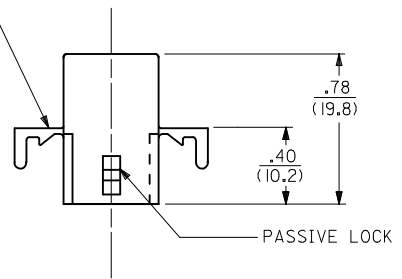
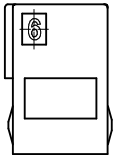
| ADD 46999-0717 EC NO: UCP2015-4798 DRWN:KIPPER 2015/05/13 CHKD:JBELL 2016/02/01 APPR:FSMITH 2016/07/11 S4 REV | QUALITY SYMBOLS | GENERAL TOLERANCES (UNLESS SPECIFIED) | DIMENSION STYLE | SCALE | DESIGN UNITS | THIRD ANGLE PROJECTION | | | | | | | | | | | | | | | | | | | | | | | | | | | | | | | | |
|---|--|---|-----------------|-------|--------------|------------------------|-----------|-----------|----------|-----------|------------|----------|------------|------------|---------|------------|-----------|---------|-----------|-----------|--|-------|--|----------|------|-----|------------|------------|------|----|------------|-------------|------|-----|------------|-----|------|--|
| | $\nabla = 0$ $\nabla = 0$ $\nabla = 0$ | <table border="1"> <thead> <tr> <th></th> <th>mm</th> <th>INCH</th> </tr> </thead> <tbody> <tr> <td>4 PLACES</td> <td>\pm ---</td> <td>\pm ---</td> </tr> <tr> <td>3 PLACES</td> <td>\pm ---</td> <td>$\pm .010$</td> </tr> <tr> <td>2 PLACES</td> <td>± 0.25</td> <td>$\pm .014$</td> </tr> <tr> <td>1 PLACE</td> <td>± 0.36</td> <td>\pm ---</td> </tr> <tr> <td>0 PLACE</td> <td>\pm ---</td> <td>\pm ---</td> </tr> </tbody> </table> | | mm | INCH | 4 PLACES | \pm --- | \pm --- | 3 PLACES | \pm --- | $\pm .010$ | 2 PLACES | ± 0.25 | $\pm .014$ | 1 PLACE | ± 0.36 | \pm --- | 0 PLACE | \pm --- | \pm --- | <table border="1"> <thead> <tr> <th colspan="2">IN/MM</th> </tr> </thead> <tbody> <tr> <td>DRAWN BY</td> <td>DATE</td> </tr> <tr> <td>JJS</td> <td>1988/02/05</td> </tr> <tr> <td>CHECKED BY</td> <td>DATE</td> </tr> <tr> <td>RW</td> <td>1988/02/05</td> </tr> <tr> <td>APPROVED BY</td> <td>DATE</td> </tr> <tr> <td>RAS</td> <td>1988/02/05</td> </tr> </tbody> </table> | IN/MM | | DRAWN BY | DATE | JJS | 1988/02/05 | CHECKED BY | DATE | RW | 1988/02/05 | APPROVED BY | DATE | RAS | 1988/02/05 | 1:1 | INCH | |
| | | mm | INCH | | | | | | | | | | | | | | | | | | | | | | | | | | | | | | | | | | | |
| | 4 PLACES | \pm --- | \pm --- | | | | | | | | | | | | | | | | | | | | | | | | | | | | | | | | | | | |
| 3 PLACES | \pm --- | $\pm .010$ | | | | | | | | | | | | | | | | | | | | | | | | | | | | | | | | | | | | |
| 2 PLACES | ± 0.25 | $\pm .014$ | | | | | | | | | | | | | | | | | | | | | | | | | | | | | | | | | | | | |
| 1 PLACE | ± 0.36 | \pm --- | | | | | | | | | | | | | | | | | | | | | | | | | | | | | | | | | | | | |
| 0 PLACE | \pm --- | \pm --- | | | | | | | | | | | | | | | | | | | | | | | | | | | | | | | | | | | | |
| IN/MM | | | | | | | | | | | | | | | | | | | | | | | | | | | | | | | | | | | | | | |
| DRAWN BY | DATE | | | | | | | | | | | | | | | | | | | | | | | | | | | | | | | | | | | | | |
| JJS | 1988/02/05 | | | | | | | | | | | | | | | | | | | | | | | | | | | | | | | | | | | | | |
| CHECKED BY | DATE | | | | | | | | | | | | | | | | | | | | | | | | | | | | | | | | | | | | | |
| RW | 1988/02/05 | | | | | | | | | | | | | | | | | | | | | | | | | | | | | | | | | | | | | |
| APPROVED BY | DATE | | | | | | | | | | | | | | | | | | | | | | | | | | | | | | | | | | | | | |
| RAS | 1988/02/05 | | | | | | | | | | | | | | | | | | | | | | | | | | | | | | | | | | | | | |
| | ANGULAR $\pm 1/2^\circ$ | MATERIAL NO. | DOCUMENT NO. | | SHEET NO. | | | | | | | | | | | | | | | | | | | | | | | | | | | | | | | | | |
| | DRAFT WHERE APPLICABLE MUST REMAIN WITHIN DIMENSIONS | SEE CHART | SD-1625-9* | | 1 OF 3 | | | | | | | | | | | | | | | | | | | | | | | | | | | | | | | | | |
| | | THIS DRAWING CONTAINS INFORMATION THAT IS PROPRIETARY TO MOLEX INCORPORATED AND SHOULD NOT BE USED WITHOUT WRITTEN PERMISSION | | | | | | | | | | | | | | | | | | | | | | | | | | | | | | | | | | | | |

.062/(1.57) HOUSINGS
PLUG & RECEPTACLE
9 CKT., .145/(3.68) CTRS

molex



OPTIONAL MOUNTING EARS
SEE DETAIL 3 OR 4
FOR VERSIONS AVAILABLE



RECEPTACLE

| | | | | | | | |
|--|--|---------------------------------------|-------------|---|---|---|------------------------|
| SEE SHEET 1 EC NO: UCP2015-4798 DRW:MKLIPPER 2015/05/13 CHKD:JBELL 2016/02/01 APPR:FSMITH 2016/07/11 | QUALITY SYMBOLS | GENERAL TOLERANCES (UNLESS SPECIFIED) | | DIMENSION STYLE | SCALE | DESIGN UNITS | THIRD ANGLE PROJECTION |
| | ▽=0 | mm | INCH | IN/MM | 1:1 | INCH | |
| | ▽=0 | 4 PLACES ± --- ± --- | | DRAWN BY | DATE | TITLE | |
| | ▽=0 | 3 PLACES ± --- ± .010 | | JJS | 1988/02/05 | .062/(1.57) HOUSINGS PLUG & RECEPTACLE 9 CKT., .145/(3.68) CTRS | |
| | 2 PLACES ± 0.25 ± .014 | | CHECKED BY | DATE | molex DOCUMENT NO. SD-1625-9* SHEET NO. 2 OF 3 | | |
| | 1 PLACE ± 0.36 ± --- | | RW | 1988/02/05 | | | |
| | 0 PLACE ± --- ± --- | | APPROVED BY | DATE | | | |
| | ANGULAR ±1/2° | | RAS | 1988/02/05 | | | |
| | DRAFT WHERE APPLICABLE MUST REMAIN WITHIN DIMENSIONS | | SEE CHART | | | | |
| REV | DESCRIPTION | SIZE | | THIS DRAWING CONTAINS INFORMATION THAT IS PROPRIETARY TO MOLEX INCORPORATED AND SHOULD NOT BE USED WITHOUT WRITTEN PERMISSION | | | |
| S4 | | C | | | | | |

9 CIRCUIT PLUG

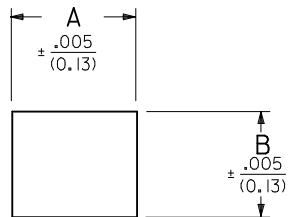
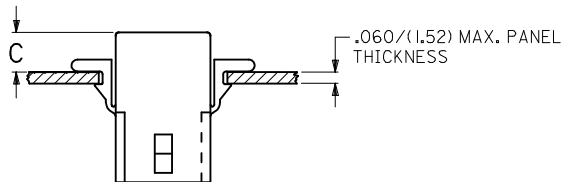
| PART NO. | ENG. NO. | EARS | MATERIAL | COLOR |
|--------------|------------|----------|----------|---------|
| 03-06-2091 | 1625-9P | STANDARD | A | NATURAL |
| 03-06-2092 | 1625-9P1 | NONE | A | NATURAL |
| X 23-06-2091 | 1625-9P-C | STANDARD | C | NATURAL |
| X 23-06-2092 | 1625-9P1-C | NONE | C | NATURAL |
| X 04-06-6091 | 1625-9P1-B | NONE | B | NATURAL |
| 03-06-7091 | 1625-9PBK | STANDARD | A | BLACK |
| 46999-0717 | 1625-9P4 | PREBENT | A | NATURAL |

X=NOT TOOLED

9 CIRCUIT RECEPTACLE

| PART NO. | ENG. NO. | EARS | MATERIAL | COLOR |
|--------------|------------|----------|----------|---------|
| 03-06-1091 | 1625-9R | STANDARD | A | NATURAL |
| 03-06-1092 | 1625-9R1 | NONE | A | NATURAL |
| X 23-06-1092 | 1625-9R1-C | NONE | C | NATURAL |
| 03-06-6092 | 1625-9R1BK | NONE | A | BLACK |
| 50-36-1871 | 1625-9R4 | PREBENT | A | NATURAL |
| X 50-36-1872 | 1625-9R4-C | PREBENT | C | NATURAL |

X=NOT TOOLED



| | | | | |
|--------|-----------------|-----------------|--------------------------|-------------------------|
| RECEP. | .650 (16.51) | .552 (14.02) | .21 (5.3) | .22 (5.6) |
| PLUG | .752 (19.10) | .615 (15.62) | .20 (5.1) | .21 (5.3) |
| PART | DIM. A | DIM. B | DIM. C (STANDARD EAR) | DIM. C (PREBENT EAR) |

RECOMMENDED HOLE PATTERN

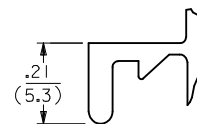
NOTES:

- MATERIAL CODES:
A-NYLON TYPE 6/6, 94V-2
B-NYLON TYPE 6/6, 94V-0
C-POLYPROPYLENE, 94V-0
- FINISH: NONE
- PRODUCT SPECIFICATION: PS-02-06
- PACKAGING SPECIFICATION: PK-1625-003
- HOUSINGS OF USE WITH MOLEX .062 DIAMETER TERMINALS.

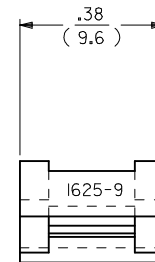
SOME PARTS MAY HAVE THIS CORNER CHAMFERED.

ETCHED CIRCUIT I.D. NUMBERS ON HOUSING MAY OR MAY NOT BE PRESENT.

- PARTS CONFORM TO CLASS B REQUIREMENTS OF COSMETIC SPECIFICATION PS-45499-002.



DETAIL 3
STANDARD MOUNTING EAR
(SCALE 4:1)



DETAIL 4
PREBENT MOUNTING EAR
(SCALE 4:1)

| REV | DESCRIPTION | QUALITY SYMBOLS | GENERAL TOLERANCES (UNLESS SPECIFIED) | | DIMENSION STYLE IN/MM | SCALE 1:1 | DESIGN UNITS INCH | THIRD ANGLE PROJECTION | |
|-----|--|-------------------|--|---------------|---|--|----------------------|------------------------|--|
| | | | mm | INCH | | | | | |
| S4 | SEE SHEET 1 EC NO: UCP2015-4798 DRW:KIPPER 2015/05/13 CHKD:JBELL 2016/02/01 APPR:FSMITH 2016/07/11 | = 0 = 0 = 0 | 4 PLACES | ± .010 | DRAWN BY JJS DATE 1988/02/05 | TITLE .062/(1.57) HOUSINGS PLUG & RECEPTACLE 9 CKT., .145/(3.68) CTRS | SD-1625-9* | SHEET NO. 3 OF 3 | |
| | | | 3 PLACES | ± .010 | | | | | CHECKED BY RW DATE 1988/02/05 |
| | | | 2 PLACES | ± 0.25 ± .014 | | | | | APPROVED BY RAS DATE 1988/02/05 |
| | | | 1 PLACE | ± 0.36 ± .--- | | | | | MATERIAL NO. SEE CHART |
| | | | 0 PLACE | ± .--- | | | | | DOCUMENT NO. SD-1625-9* |
| | | | ANGULAR ±1/2° | | THIS DRAWING CONTAINS INFORMATION THAT IS PROPRIETARY TO MOLEX INCORPORATED AND SHOULD NOT BE USED WITHOUT WRITTEN PERMISSION | | | | |
| | | | DRAFT WHERE APPLICABLE MUST REMAIN WITHIN DIMENSIONS | | | | | | |