

10/100 BASE-T Single-Port TRANSFORMER MODULES

Military / Aerospace Grade



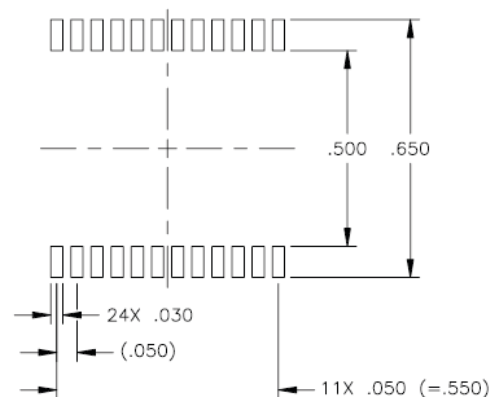
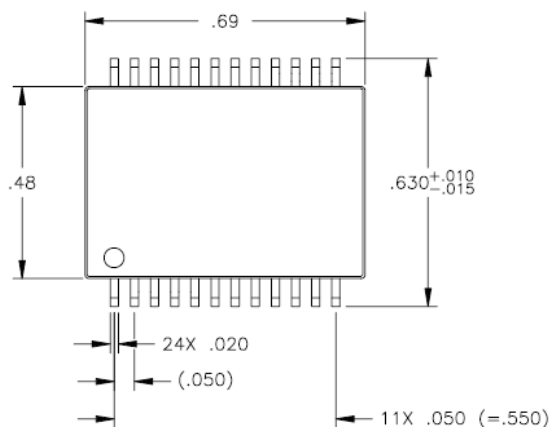
- Compliant with IEE 802.3u and ANSI X3.263 Standards
- 350µH OCL with 8mA bias at extended temperatures
- Operating Temperature:
 - 100B-1011: -40°C to +85°C
 - 100B-1011X: -55°C to +125°C - Extended Temperature
- IC grade transfer-molded package withstands 235°C peak profile
- Lead Finish Sn63/Pb37
- MSL: 3

Electrical Specifications @ 25°C - Storage Temperature -55°C to +125°C

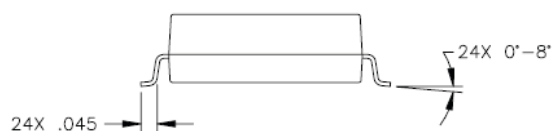
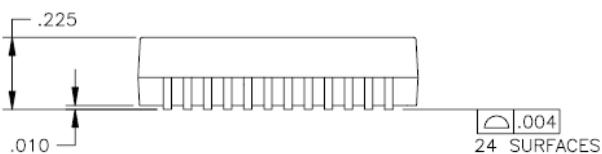
Part Number	Insertion Loss (dB MIN)	Return Loss (dB MAX)			Crosstalk □ □ □ □ □ □ □ □			DM to CM Rejection Ratio (dB MAX)		
		30 MHz	60 MHz	80 MHz	30 MHz	60 MHz	100 MHz	30 MHz	60 MHz	100 MHz
100B-1011	0.1-100 MHz	30 MHz	60 MHz	80 MHz	30 MHz	60 MHz	100 MHz	30 MHz	60 MHz	100 MHz
	-1.20	-18	-12	-12	-43	-37	-35	-42	-37	-33
100B-1011X	0.1-100 MHz	30 MHz	60 MHz	80 MHz	30 MHz	60 MHz	100 MHz	30 MHz	60 MHz	100 MHz
	-1.20	-18	-12	-12	-43	-37	-35	-42	-37	-33

Mechanical

100B-1011/X



SUGGESTED LAND PATTERN

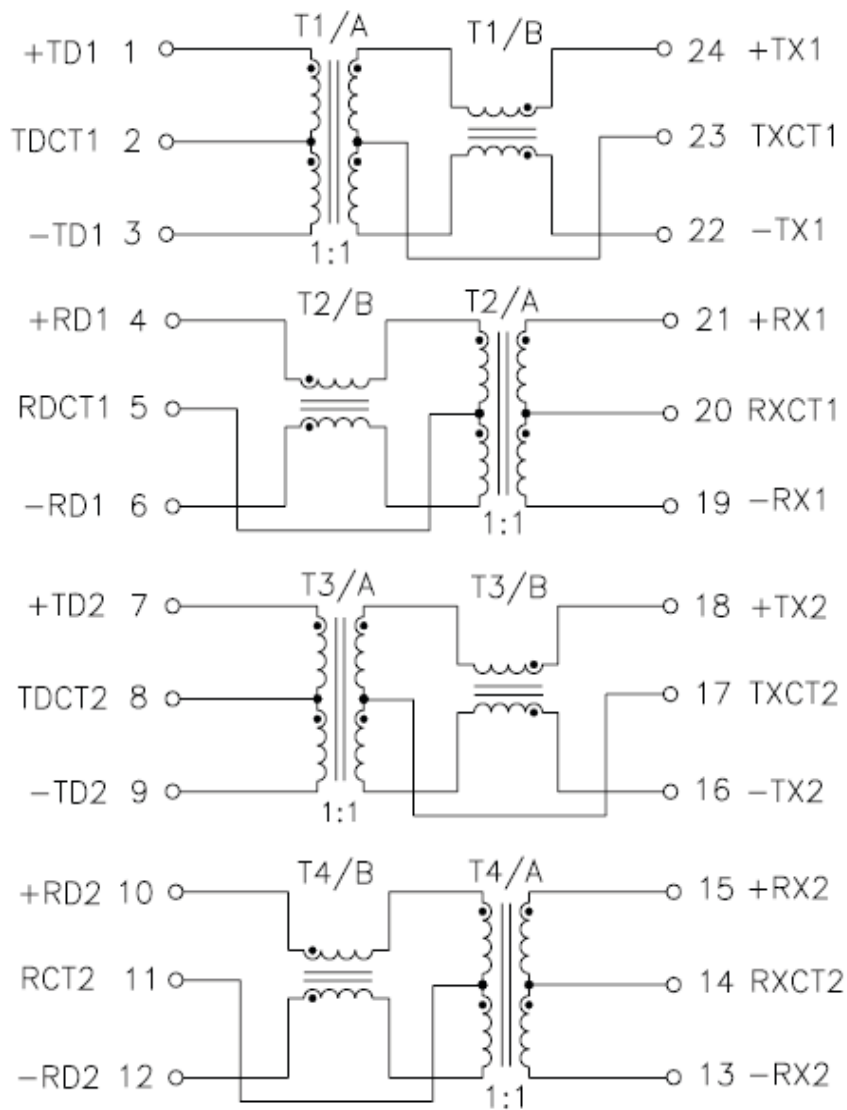


10/100 BASE-T Single Port TRANSFORMER MODULES

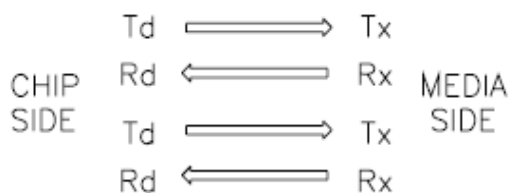
Military / Aerospace Grade

Schematic

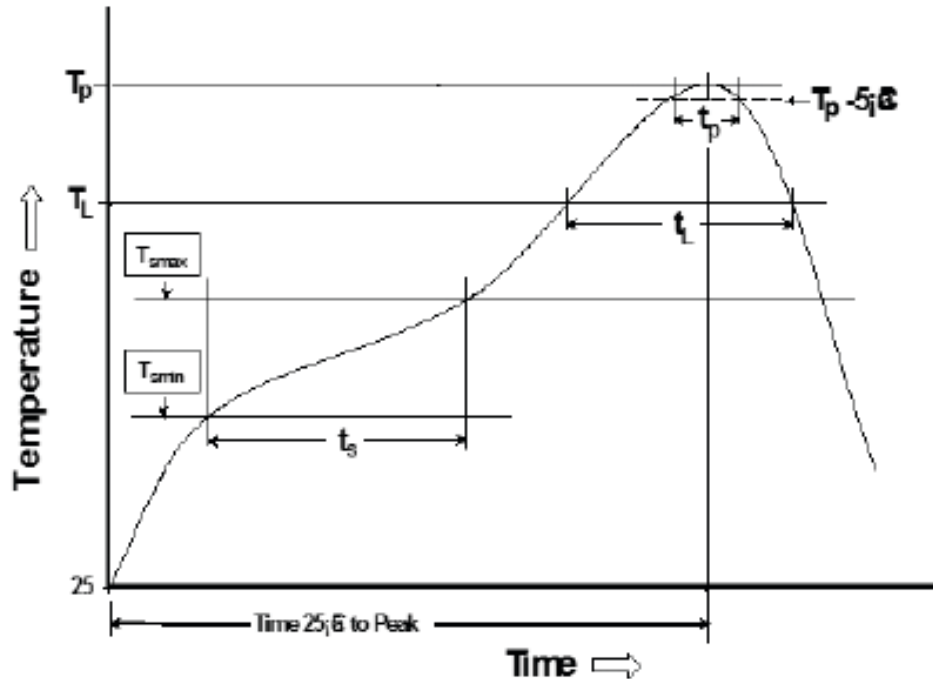
100B-1011/X



SCHEMATIC



Tin/Lead Recommended Reflow Profile (Based on J-STD-020D)



T _{SMIN} (°C)	T _{SMAX} (°C)	T _L (°C)	T _P (°C MAX)	t _s (s)	t _L (s)	t _p (s MAX)	Ramp-up rate (T _L to T _P)	Ramp-down rate (T _P to T _L)	Time 25°C to peak temperature (s MAX)
100	150	183	235	60-120	60-150	20	3°C/s MAX	6°C/s MAX	360

Notes:

1. All temperatures measured on the package leads.
2. Maximum times of reflow cycle: 2.

For More Information

Pulse North America Headquarters
Two Pearl Buck Court
Bristol, PA 19007
U.S.A.

Tel: 215 781 6400
Fax: 215 781 6403

Pulse Europe
Einsteinstrasse 1
D-71083 Herrenberg
Germany

Tel: 49 7032 7806 0
Fax: 49 7032 7806 135

Pulse China Headquarters
B402, Shenzhen Academy of
Aerospace Technology Bldg.
10th Kejinan Road
High-Tech Zone
Nanshan District
Shenzhen, PR China 518057
Tel: 86 755 33966678
Fax: 86 755 33966700

Pulse North China
Room 2704/2705
Super Ocean Finance Ctr.
2067 Yan An Road West
Shanghai 200336
China
Tel: 86 21 62787060
Fax: 86 2162786973

Pulse South Asia
135 Joo Seng Road
#03-02
PM Industrial Bldg.
Singapore 368363
Tel: 65 6287 8998
Fax: 65 6287 8998

Pulse North Asia
3F, No. 198
Zhongyuan Road
Zhongli City
Taoyuan County 320
Taiwan R. O. C.
Tel: 886 3 4356768
Fax: 886 3 4356823 (Pulse)
Fax: 886 3 4356820 (FRE)

Performance warranty of products offered on this data sheet is limited to the parameters specified. Data is subject to change without notice. Other brand and product names mentioned herein may be trademarks or registered trademarks of their respective owners. © Copyright, 2018, Pulse Electronics, Inc. All rights reserved.