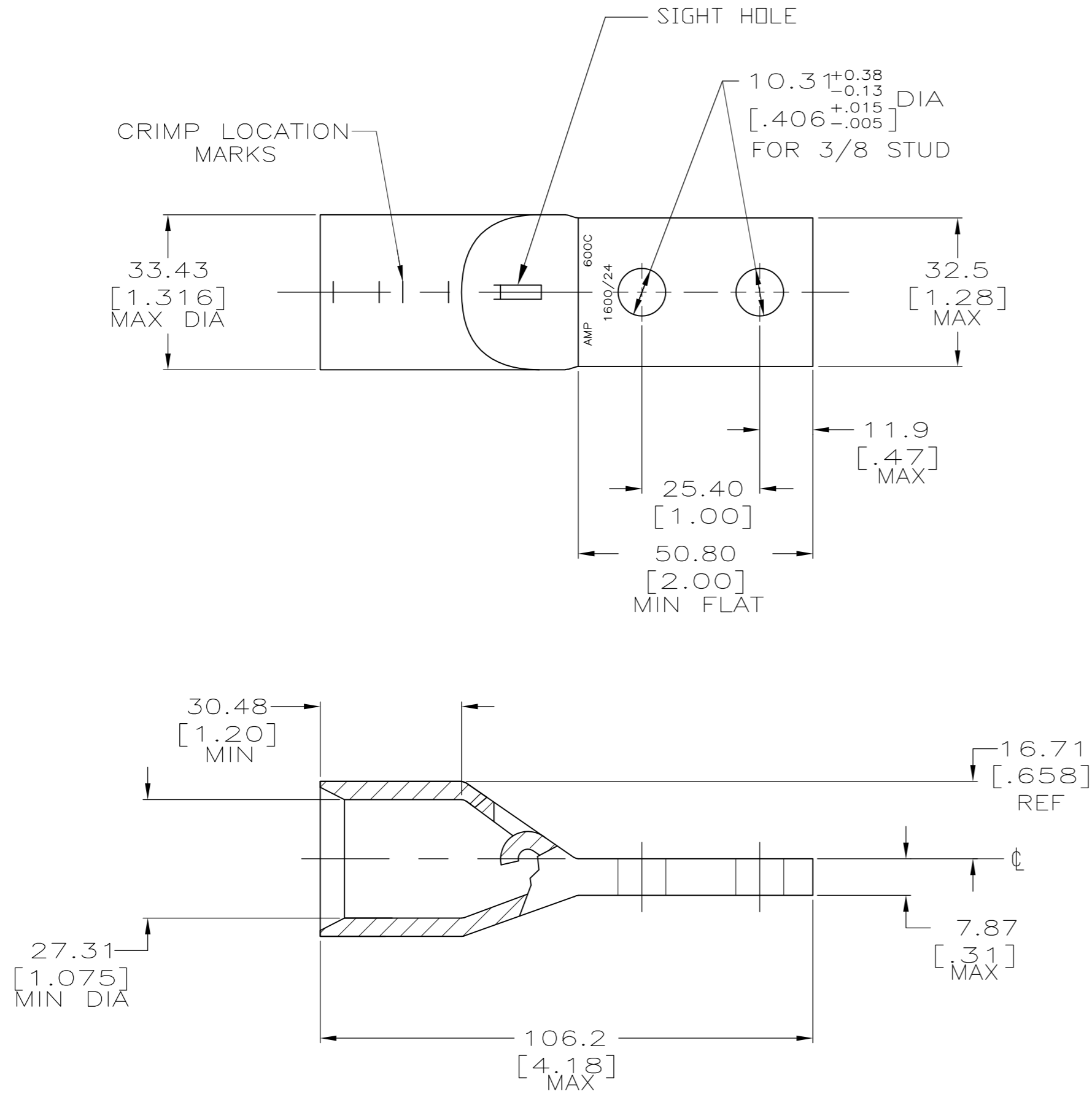


THIS DRAWING IS UNPUBLISHED. RELEASED FOR PUBLICATION
 © COPYRIGHT BY TYCO ELECTRONICS CORPORATION. ALL INTERNATIONAL RIGHTS RESERVED.

LOC	DIST	REVISIONS					
		P	LTR	DESCRIPTION	DATE	DWN	APVD
G	86	E		REV PER ECR 09-023843	23NOV09	JR	RL



- ① TIN PL 0.00381[.000150] MIN THK PER MIL-T-10727
- 2 CIRCULAR MIL RANGE: 550-650 MCM
- ③ COPPER PER ASTM B-75, ANNEALED
- ④ PRELIMINARY - NOT FOR PRODUCTION

REQUIRED	①	④ 276918-3
NONE	①	276918-1
SIGHT HOLE	FINISH	PART NO.

THIS DRAWING IS A CONTROLLED DOCUMENT.		DWN DK SCHRUM 10/15/91	Tyco Electronics Corporation Harrisburg, PA 17105-3608	
DIMENSIONS: MM [INCHES]		CHK AJ KAUFMAN 10/16/91	NAME	
TOLERANCES UNLESS OTHERWISE SPECIFIED:		APVD WJ VOCKROTH 10/16/91	TERMINAL, AMPPOWER, WIRE SIZE: 304.0mm[600]MCM	
0 PLC ± -		PRODUCT SPEC	SIZE	RESTRICTED TO
1 PLC ± -		APPLICATION SPEC	CAGE CODE	
2 PLC ± 0.51[.020]			DRAWING NO	
3 PLC ± -			A2 00779	
4 PLC ± -			C=276918	
ANGLES ± -		WEIGHT	SCALE	SHEET
FINISH			1:1	1 of 1
MATERIAL - ③		SEE TABLE	CUSTOMER DRAWING	REV E