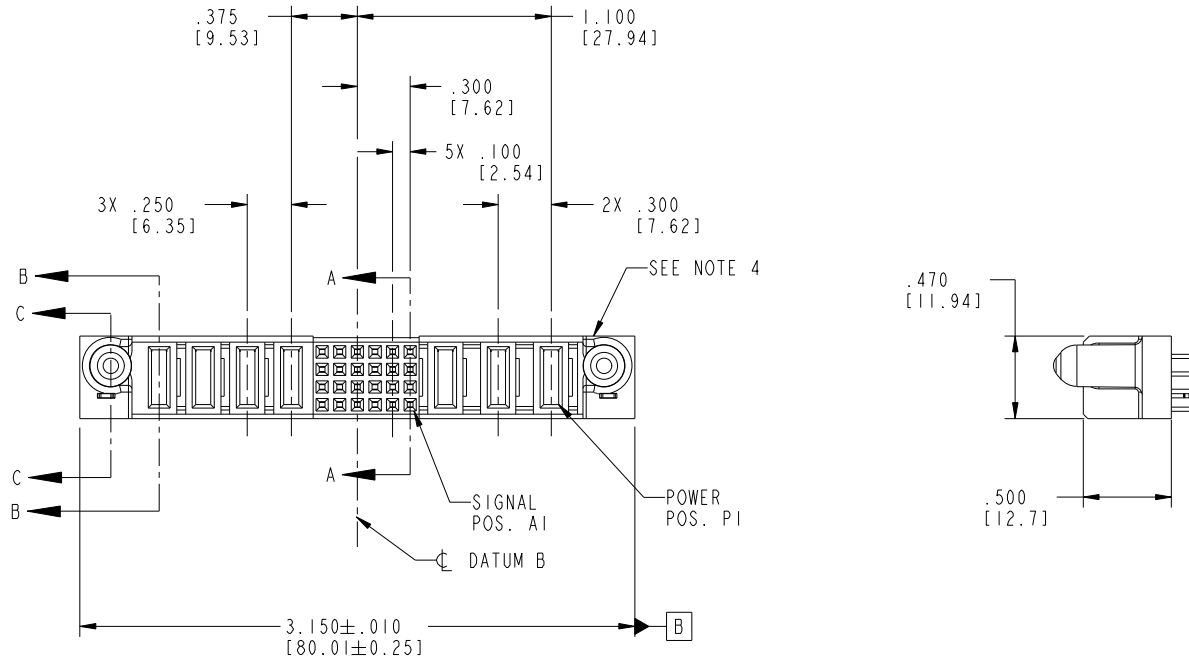


Tous droits strictement reserves. Reproduction ou communication a des tiers interdite sous quelque forme que ce soit sans autorisation écrite du propriétaire. Propriete de c FCI. Droits de reproduction FCI.



All rights strictly reserved. Reproduction or issue to third parties in any form whatever is not permitted without written authority from the proprietor. Property of FCI. Copyright FCI.

PRODUCT NO.	ROWS	POWER				SIGNAL				POWER			E1			
		E2	P7	P6	P5	P4	6	5	4	3	2	1		P3	P2	P1
51940-016-- NOTE: 3	D C B A		PA	PA	PD	PD	E	E	E	E	E	E	PA	PD	PD	



CODE	DIM "M" MATING LENGTH	CONTACT TYPE
E	N/A [N/A]	SIGNAL
PA	.042 [1.07]	POWER
PD	.092 [2.34]	POWER
HA	N/A [N/A]	HOLD-DOWN

mat'l code				SEE NOTE 2		tolerances unless otherwise specified		CUSTOMER		www.fciconnect.com	
ltr	ecn no.	dr	date	linear	.XX±.01/0.X±0.3	projection		COPY		title	
A	V21336	CGD	08/15/02		.XXX±.005/0.XX±0.13					3ACP + 24S + 4P	
B	V21528	TAB	09/24/02	angles	.XXX±.0020/0.XXX±0.051					VERTICAL SOLDER RECEPT	
C	V21866	CGD	12/10/02		0°±2°	INCH/MM				product family	
D	DG08-0040	SH	02/18/08	dr	C. DAILY	scale				PwrBlade	
				enr	M. MOSTOLLER	1:1				code	
				chr	M. MOSTOLLER					213	
				appd	M. MOSTOLLER					size	
										dwg no	
										51940-016	
										sheet	
										1 of 4	
sheet index	revision sheet	D	D	D	D					cage code	
	i 2	3	4							22526	

Pro/E

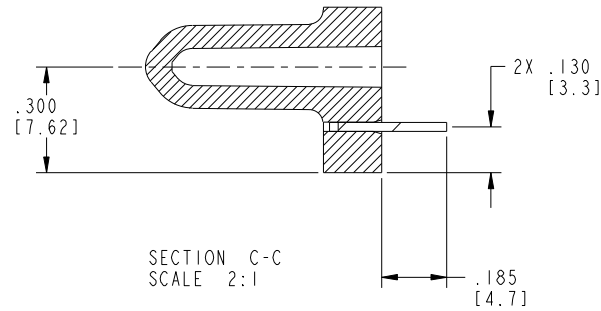
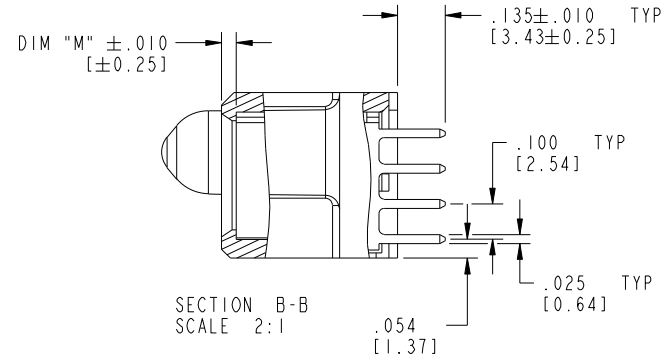
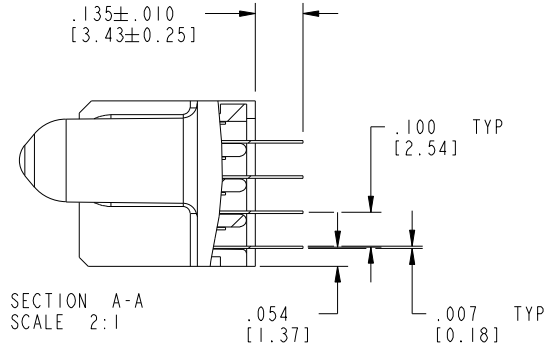
cage code 22526

Tous droits strictement reserves. Reproduction ou communication a des tiers interdite sous quelque forme que ce soit sans autorisation ecrite du proprietaire. Propriete de c FCI. Droits de reproduction FCI.



All rights strictly reserved. Reproduction or issue to third parties in any form whatever is not permitted without written authority from the proprietor. Property of FCI. Copyright FCI.

PRODUCT NUMBER  
51940-016--  
NOTE: 3



mat'l code		SEE NOTE 2		tolerances unless otherwise specified		CUSTOMER		 www.fciconnect.com	
ltr	ecn no.	dr	date	linear	.XX±.01/0.X±0.3	COPY		title	
D					.XXX±.005/0.XX±0.13	projection		3ACP + 24S + 4P	
				angles	.XXX±.0020/0.XXX±0.051			VERTICAL SOLDER RECEPT	
				dr	0°±2°	INCH/MM		product family	
				enrg	C. DAILY 08/15/02	scale		PwrBlade	
				chr	M. MOSTOLLER 08/15/02	1:1		code	
				appd	M. MOSTOLLER 08/15/02	A		213	
sheet index		revision sheet				size		sheet	
						A		2 of 4	

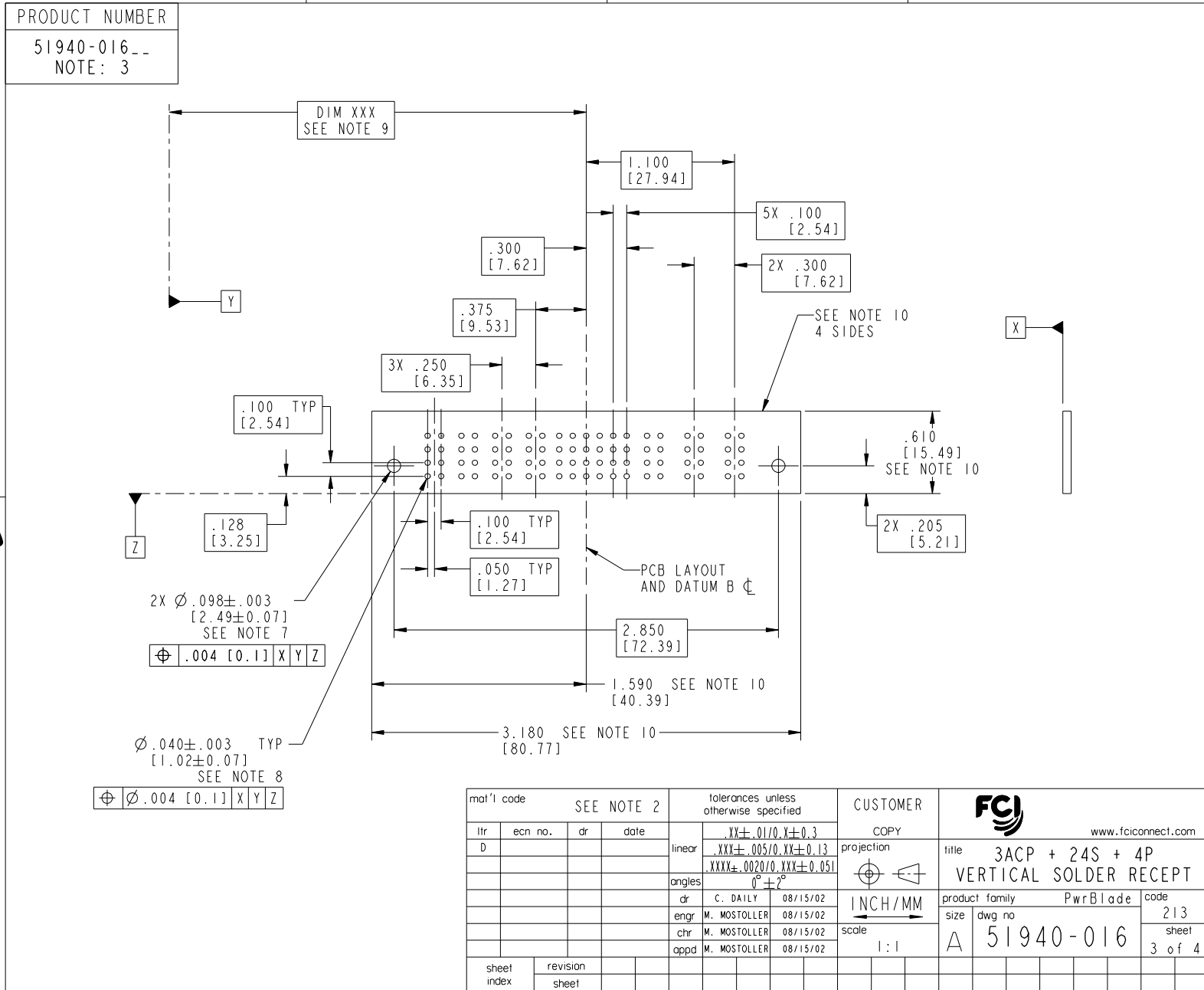
cage code 22526

Pro/E

Tous droits strictement réservés. Reproduction ou communication à des tiers interdite sous quelque forme que ce soit sans autorisation écrite du propriétaire. Propriété de c.FCI. Droits de reproduction FCI.



All rights strictly reserved. Reproduction or issue to third parties in any form whatever is not permitted without written authority from the proprietor. Property of FCI. Copyright FCI.



mat'l code		SEE NOTE 2		tolerances unless otherwise specified		CUSTOMER		FCI		www.fciconnect.com	
ltr	ecn no.	dr	date	linear	.XX±.01/0.X±0.3	COPY		projection		title	
D				angles	.XXX±.005/0.XX±0.13	INCH/MM		3ACP + 24S + 4P		VERTICAL SOLDER RECEPT	
				chr	.XXX±.0020/0.XXX±0.051	scale		product family		code	
				appr	0°±2°	1:1		PwrBlade		213	
					C. DAILY 08/15/02			size		sheet	
					M. MOSTOLLER 08/15/02			dwg no		3 of 4	
					M. MOSTOLLER 08/15/02			A		51940-016	
sheet index	revision sheet							cage code		22526	

Pro/E 3 cage code 22526 4

Tous droits strictement reserves. Reproduction ou communication a des tiers interdite sous quelque forme que ce soit sans autorisation écrite du propriétaire. Propriete de c FCI. Droits de reproduction FCI.



All rights strictly reserved. Reproduction or issue to third parties in any form whatever is not permitted without written authority from the proprietor. Property of FCI. Copyright FCI.

PRODUCT NUMBER  
51940-016--  
NOTE: 3

NOTES:

1. DIMENSIONS AND TOLERANCES ARE IN ACCORDANCE WITH ASME Y14.5M, 1994 UNLESS OTHERWISE SPECIFIED.

CONNECTOR NOTES:

- 2 HOUSING MATERIAL: UL 94 V-0 GLASS FILLED  
HIGH-TEMP THERMOPLASTIC  
POWER CONTACT MATERIAL: COPPER ALLOY  
SIGNAL PIN MATERIAL: COPPER ALLOY
- 3. PLATING:  
 51940-016, 51940-016LF, PLATING SPEC. SEE PRINT: 10064183
- 4 MANUFACTURER'S NAME, P/N, AND DATE CODE TO APPEAR ON THIS SURFACE.
- 5. PRODUCT SPECIFICATION GS-12-149.  
APPLICATION SPECIFICATION BUS-20-067.

PCB NOTES:

- 6. ALL HOLE DIAMETERS ARE FINISHED HOLE SIZE.
- 7. MOUNTING HOLES, WHERE APPLICABLE, ARE UNPLATED.
- 8  $\varnothing .0453 \pm .0010$  [1.151 ± 0.025] DRILLED HOLES PLATED WITH .0003 [0.008] MIN SnPb OVER .001 [0.03] TO .003 [0.08] Cu PLATING TO ACHIEVE  $\varnothing .040 \pm .003$  [1.02 ± .07] HOLE.
- 9 "DIM XXX" TO BE DETERMINED BY THE CUSTOMER.
- 10 CONNECTOR KEEP-OUT ZONE.
- 11. A SYMBOL WILL BE NEXT TO ANY DIMENSION, VIEW, OR NOTE WHICH HAS BEEN MODIFIED WITH CURRENT DRAWING REVISION.

mat'l code		SEE NOTE 2		tolerances unless otherwise specified		CUSTOMER				www.ficconnect.com	
ltr	ecn no.	dr	date	linear	.XX±.01/0.X±0.3	COPY		title			
D					.XXX±.005/0.XX±0.13	projection		3ACP + 24S + 4P			
				angles	.XXX±.0020/0.XXX±0.051			VERTICAL SOLDER RECEPT			
				dr	0°±2°	INCH/MM		product family		PwrBlade	code
				enrg	C. DAILY 08/15/02	scale		size		dwg no	213
				chr	M. MOSTOLLER 08/15/02	1:1		A		51940-016	sheet
				appd	M. MOSTOLLER 08/15/02						4 of 4
sheet index	revision sheet										

cage code 22526