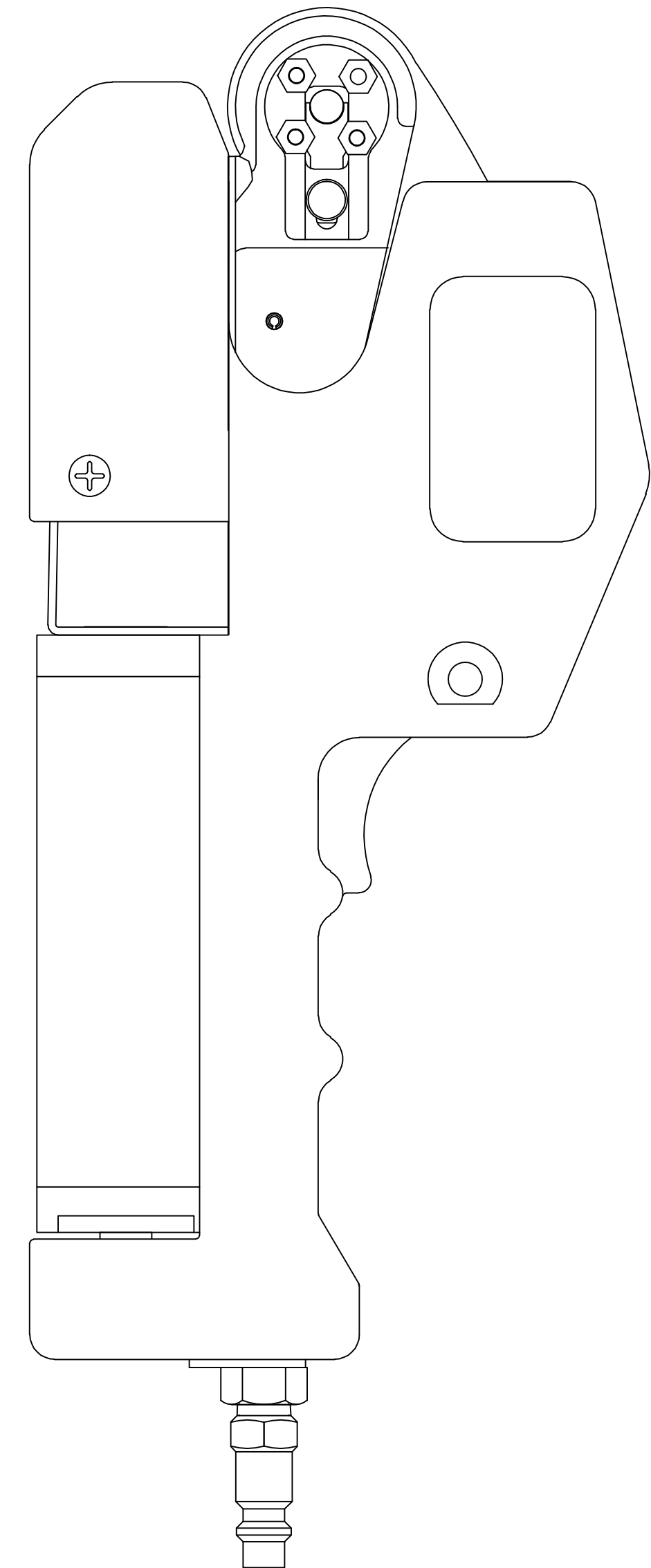


**UNCONTROLLED DOCUMENT
WILL NOT BE UPDATED**



2. TOOL RANGE APPROXIMATELY .015" - .040".
NOTES: 1. THIS IS AN AUTOCAD DRAWING, DO NOT CHANGE MANUALLY.

THESE DRAWINGS, SPECIFICATIONS OR OTHER DATA ARE AND REMAIN, THE PROPERTY OF ASTRO TOOL CORP. AND MUST BE RETURNED UPON REQUEST. THEY CONTAIN INFORMATION OWNED AND/OR DEVELOPED BY ASTRO AT ITS OWN PRIVATE EXPENSE AND MAY NOT BE USED, DUPLICATED OR DISCLOSED TO OTHERS, IN WHOLE OR IN PART FOR DESIGN, MANUFACTURE OR PROCUREMENT WITHOUT THE WRITTEN PERMISSION OF ASTRO TOOL CORP. EACH AND EVERY TIME.				SCALE: N.T.S. DWN BY: DYO DATE: 09-29-15 APPROVED:	UNLESS OTHERWISE SPECIFIED: DECIMALS: .XXX ± .005 .XX ± .010 .X ± .030 ANGLES: ± 1°	CAGE 58164 ASTRO TOOL CORP. 21615 S.W. TUALATIN VALLEY HWY., BEAVERTON OR 97006 DESCRIPTION: ENVELOPE DRAWING: 70-41AP8 BASIC FRAME, MINI PNEU, INTERNAL ADJ., D-2 INDENTERS PART NO. C 70-41AP8-ENV
REV.	DESCRIPTION	BY	DATE	APR.		
A	NEW RELEASE	DYO	09-29-15	MMK		