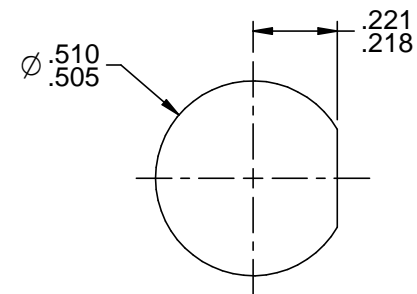
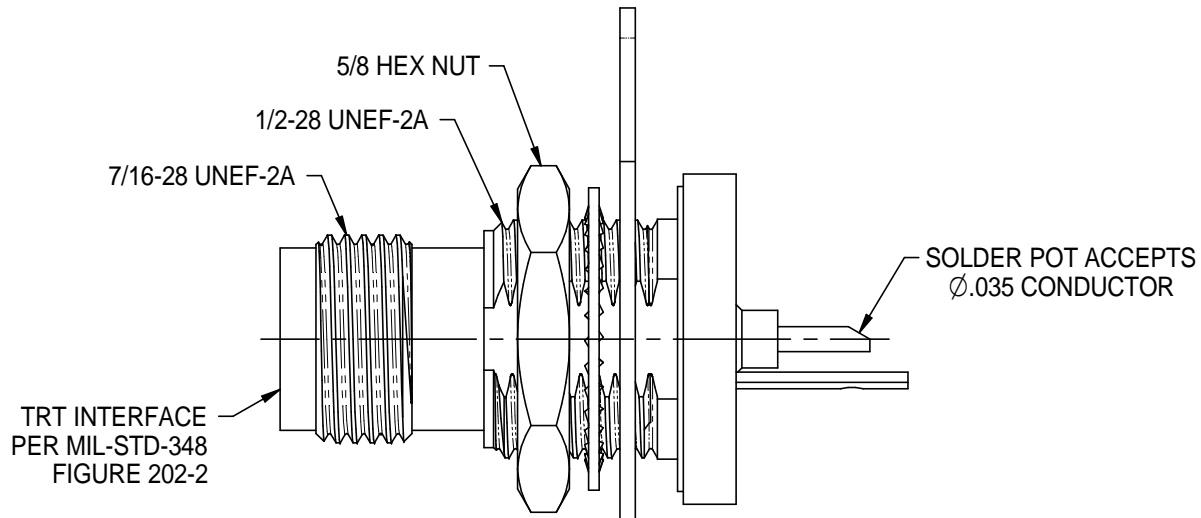
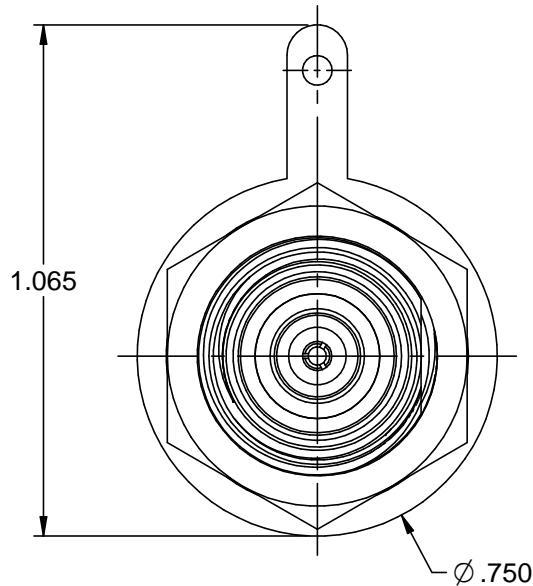
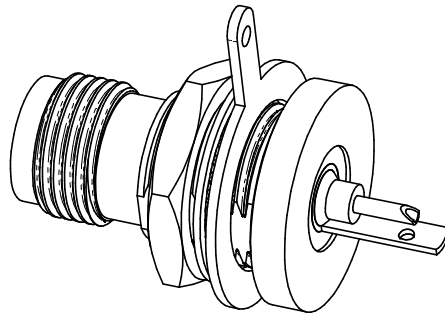


TABLE 1

MILITARY PART NO.	TROMPETER MODEL NO.	NSN
M42142/10-0001	3-0334	5935013794391

REV	ECO	DATE
J	52839	12/28/2010
K	55161	9/5/2014



**RECOMMENDED  
PANEL CUTOUT**

NOTES: UNLESS OTHERWISE SPECIFIED.

1. MATERIAL & FINISH:
  - 1.1 BODY: SILVER PLATED BRASS
  - 1.2 INSULATOR: PTFE (TEFLON)
  - 1.3 INTERMEDIATE CONTACT: GOLD PLATED BRASS
  - 1.4 DIELECTRIC: PTFE (TEFLON)
  - 1.5 CENTER CONTACT: GOLD PLATED BERYLLIUM COPPER
  - 1.6 GASKET: SILICONE RUBBER
  - 1.7 MOUNTING HARDWARE: SILVER PLATED BRASS ALLOY
2. ELECTRICAL:
  - 2.1 FREQUENCY (MAX): 500 MHz
  - 2.2 IMPEDANCE: NON-CONSISTENT
3. PANEL THICKNESS (MAX):
4. PANEL NUT TORQUE (MAX): 35 IN LBS

<p><b>EMERSON</b> Network Power Connectivity Solutions</p> <p><small>This PROPRIETARY Document is property of Emerson Network Power Connectivity Solutions. It is confidential in nature, non-transferable, and issued with the clear understanding that it is not traced or copied without permission and is returnable upon demand.</small></p> <p><small>INTERPRET DRAWING IN ACCORDANCE WITH ASME Y14.5-2009.</small></p>	Model No.	<b>3-0334</b>	<p><b>TROMPETER</b></p> <p>Title: M49142/10-0001 SOLDER POT BULKHEAD TRT JACK</p>		
	RoHS2	<input checked="" type="checkbox"/>			Cage Code
	2011/65/EU	UNLESS OTHERWISE SPECIFIED UNITS: INCH	3RD ANGLE PROJECTION	<p>Drawing No. <b>3-0334</b></p>	
	.XX ±.02 .XXX ±.005 ANGLES ±2°	Drawn by:	C. WALLACE		Rev. <b>K</b>
	Date:	9/8/2014	Size <b>A</b>	DO NOT SCALE DRAWING	
			Workmanship Std:	TFS-4	
				Sheet 1 of 1	