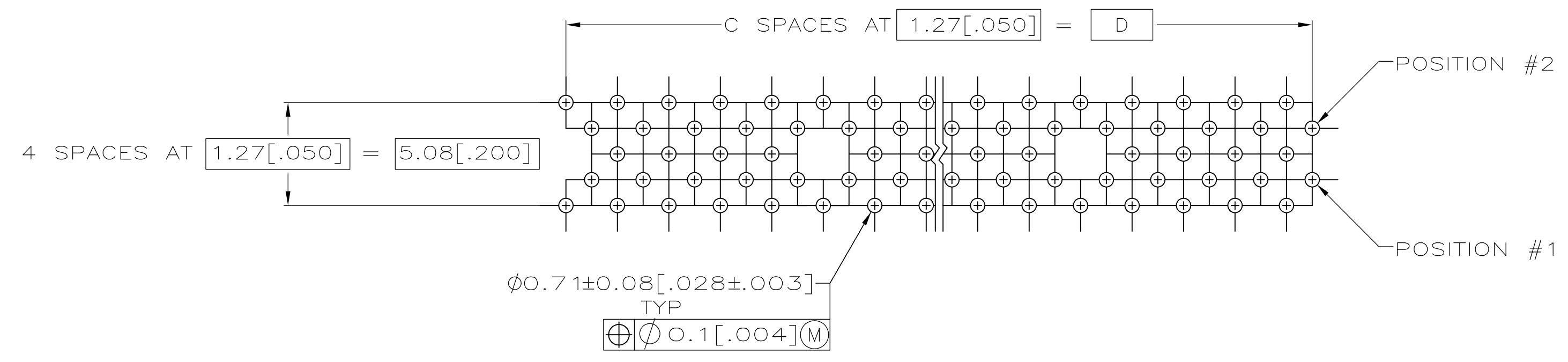
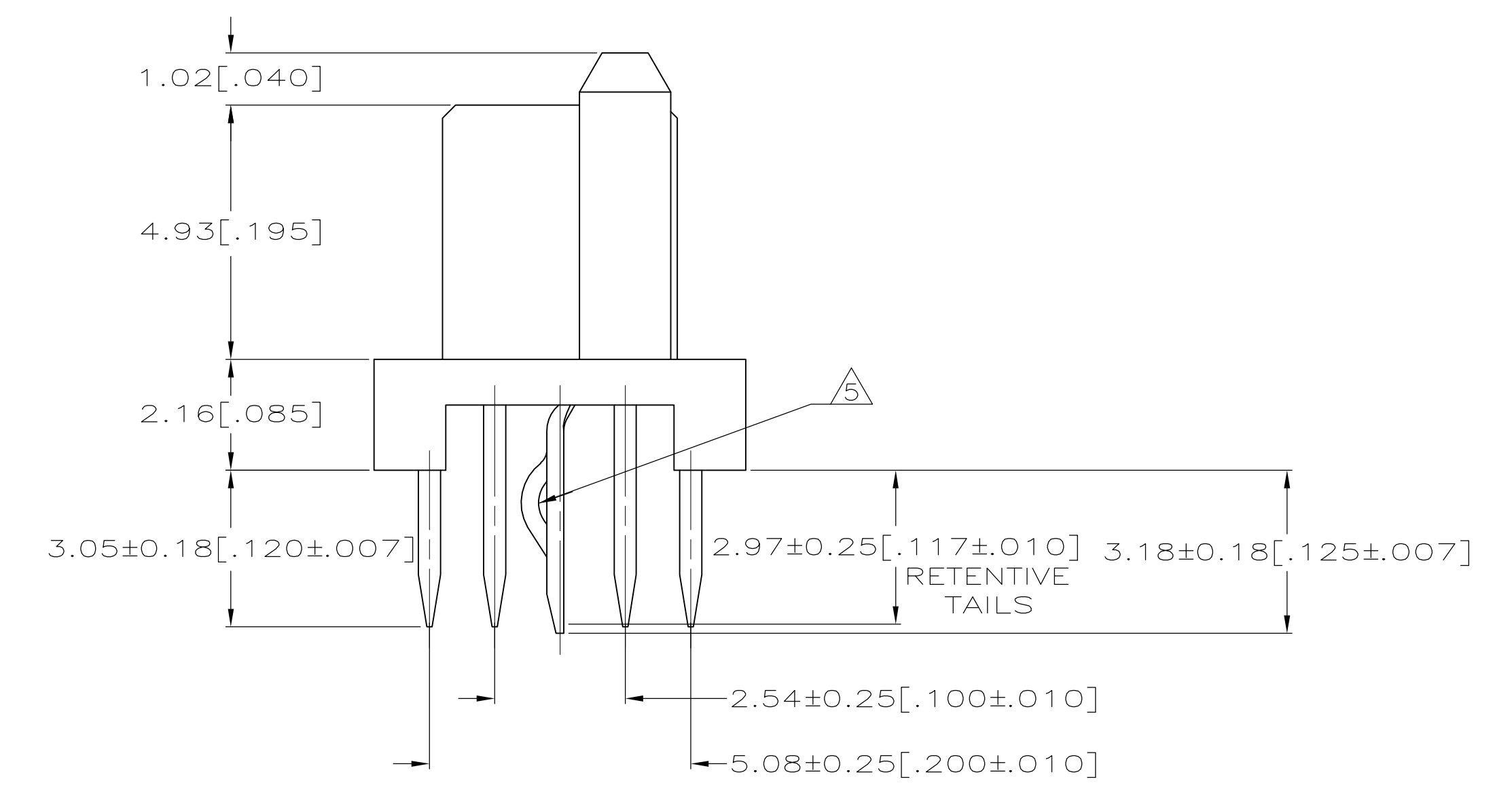
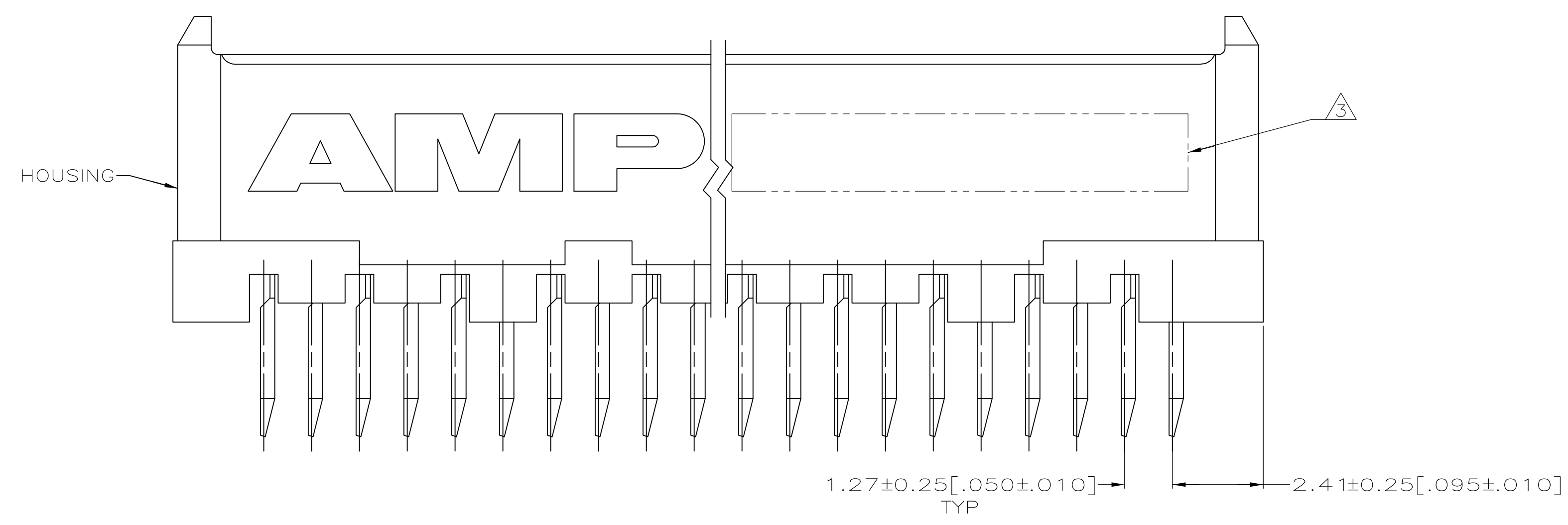


- 1 HOUSING: HIGH TEMPERATURE THERMOPLASTIC, COLOR NATURAL.  
RECEPTACLE CONTACTS: PHOSPHOR BRONZE.  
GROUND BUSES: PHOSPHOR BRONZE.
- 2 CONTACTS & GROUND BUSES: 0.00076(.000030) MIN. GOLD PER ASTM B 488 ON CONTACT AREA, 0.00254-0.00762(.000100-.000300) MATTE TIN PER ASTM B 545 ON SOLDER TAIL, ALL OVER 0.00127-0.00254(.000050-.000100) MATTE NICKEL PER SAE AMS-QQ-N-290 ON ENTIRE CONTACT.
- 3 AMP PART NUMBER AND DATE CODE MARKED IN AREA INDICATED, ON SAME SIDE AS AMP LOGO.
- 4 ONE GROUND BUS WITH 4 TAILS PER EACH 20 RECEPTACLE CONTACTS.
- 5 SECOND TAIL FROM LEFT OF EACH GROUND BUS IS KINKED.
- 6 .003 INCH/INCH MAXIMUM BOW ALLOWED.



RECOMMENDED PC BOARD HOLE LAYOUT  
(VIEWED FROM CONNECTOR SIDE)

74.93 [ 2.950 ]	59	77.14 [ 3.037 ]	79.76 [ 3.140 ]	120	5536319-5
62.23 [ 2.450 ]	49	64.44 [ 2.537 ]	67.06 [ 2.640 ]	100	5536319-4
D	C	B	A	NO OF POS	PART NUMBER

THIS DRAWING IS A CONTROLLED DOCUMENT.		DIN G. ATTADIA 01-20-05	Tyco Electronics Corporation Harrisburg, PA 17105-3608	
DIMENSIONS: INCHES	TOLERANCES UNLESS OTHERWISE SPECIFIED:	CHK D. DIXON 01-20-05	NAME: RECEPTACLE ASSEMBLY WITH RETENTIVE TAILS, .120 SIGNAL TAILS, VERTICAL, BOARD TO BOARD, MICROSTRIP	
$\phi$	0 PLC ± - 1 PLC ± - 2 PLC ± 0.13 [ .005 ] 3 PLC ± - 4 PLC ± - ANGLES ± -	APVD D. DIXON 01-20-05	PRODUCT SPEC: 108-1272	
MATERIAL	FINISH	SIZE: A1	CAGE CODE: 00779	DRAWING NO: 5536319
		WEIGHT: -	RESTRICTED TO: -	
		CUSTOMER DRAWING		SCALE: 10:1 SHEET: 1 OF 1 REV: A