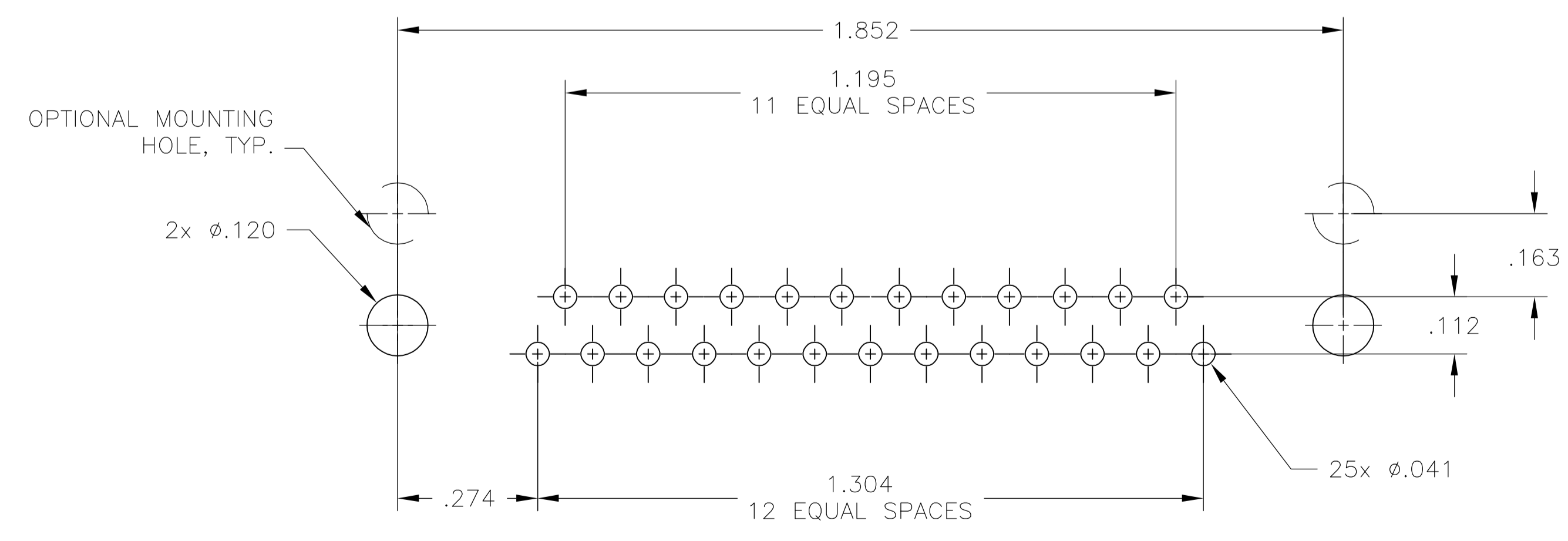
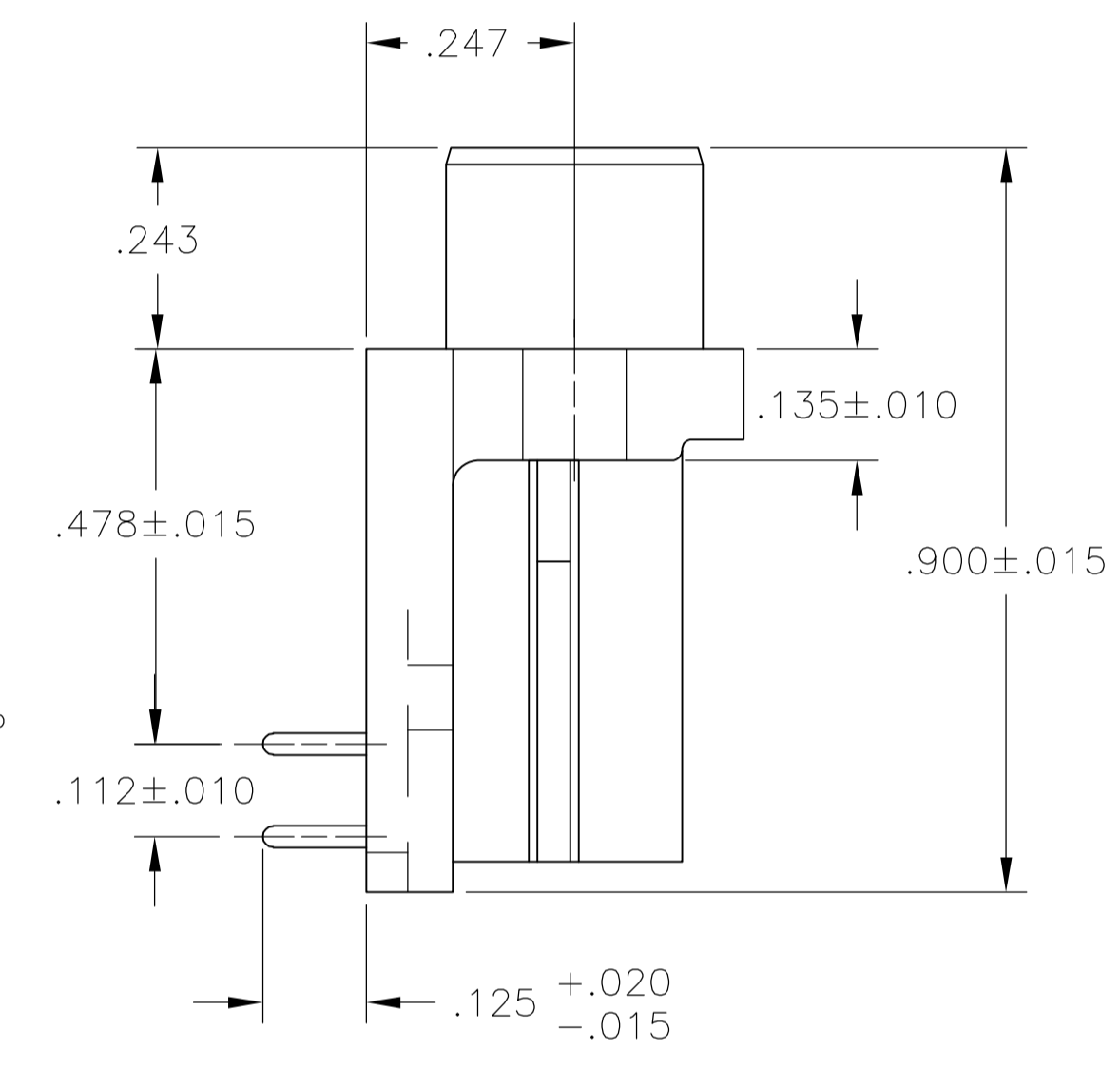
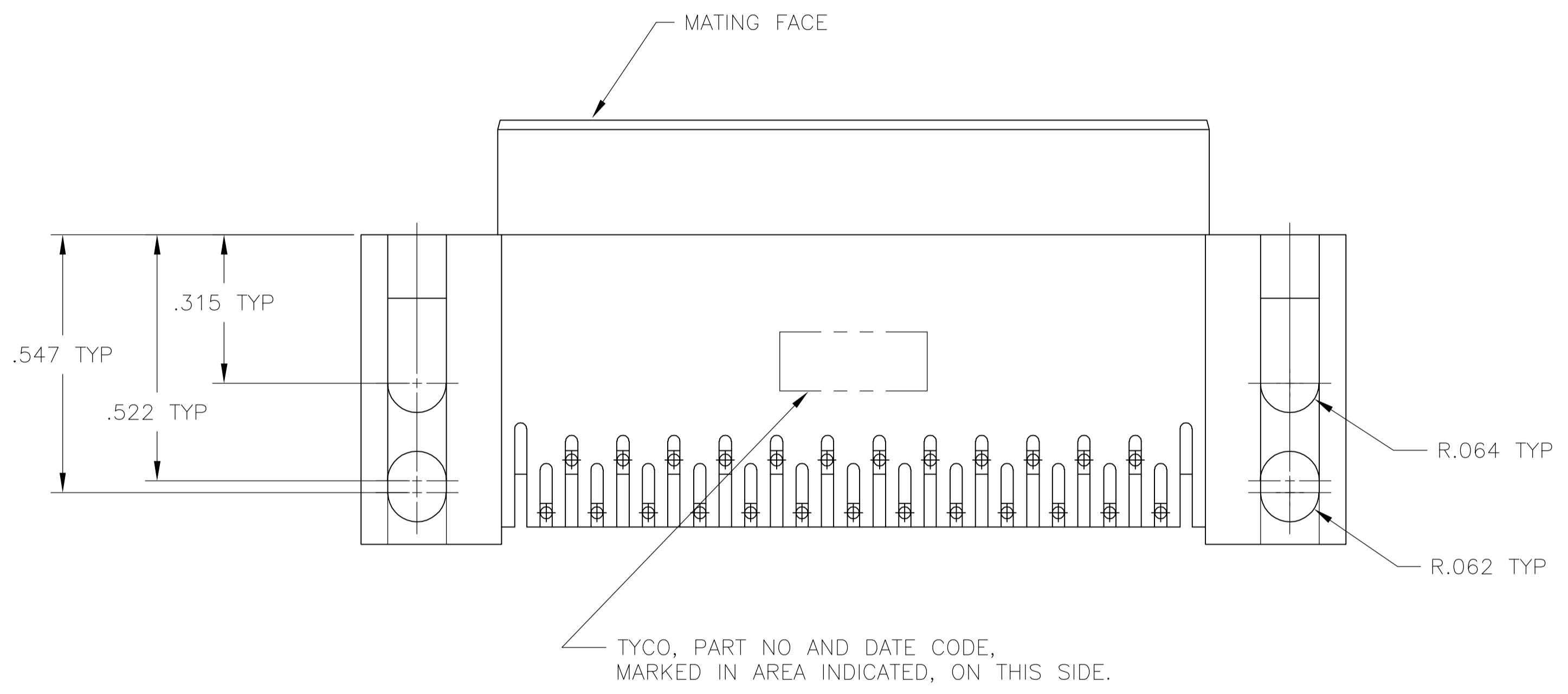


- 1 HOUSING: FLAME RETARDANT, 94V-0 RATED, GLASS FILLED NYLON OR POLYESTER, COLOR: BLACK  
CONTACTS: PHOS. BRONZE
- 2 REFER TO APPLICATION SPEC FOR RECOMMENDED P.C. BOARD MOUNTING DIMENSIONS FOR AUTOMATIC INSERTION.
- 3 CONTACTS: PLATED WITH .000030 MIN GOLD FOR LENGTH OF .055 MIN FROM MATING END, .000100 MIN TIN ON SOLDER END, ALL OVER .000050 MIN NICKEL ON ENTIRE CONTACT.



RECOMMENDED P.C. BOARD MOUNTING DIMENSIONS

**COPYRIGHT 2005  
 TYCO ELECTRONICS CORP  
 ALL RIGHTS RESERVED**

5745085-2  
 PART NUMBER

THIS DRAWING IS A CONTROLLED DOCUMENT.		DWG: G.PETERS 14SEP05	Tyco Electronics Corporation	
DIMENSIONS: INCHES		CHK: S.BOLASH 14SEP05	Harrisburg, PA 17105-3608	
TOLERANCES UNLESS OTHERWISE SPECIFIED:		APP'D: M.WALMSLEY 14SEP05	NAME: RECEPTACLE ASSY, SIZE 3, 25 POSN, RIGHT ANGLE, .478 SERIES, .026 DIA POSTS, AMPLIMITE HD-20	
0 PLC ± -		PRODUCT SPEC: 108-40025	SIZE: A1	
1 PLC ± -		APPLICATION SPEC: 114-40015	CAGE CODE: 5745085	
2 PLC ± -		WEIGHT: -	DRAWING NO: 00779	
3 PLC ± .005		CUSTOMER DRAWING		
4 PLC ± -		SCALE: 4:1		
ANGLES ± ± °		SHEET 1 OF 1		
MATERIAL:		REV: 0		
FINISH:				