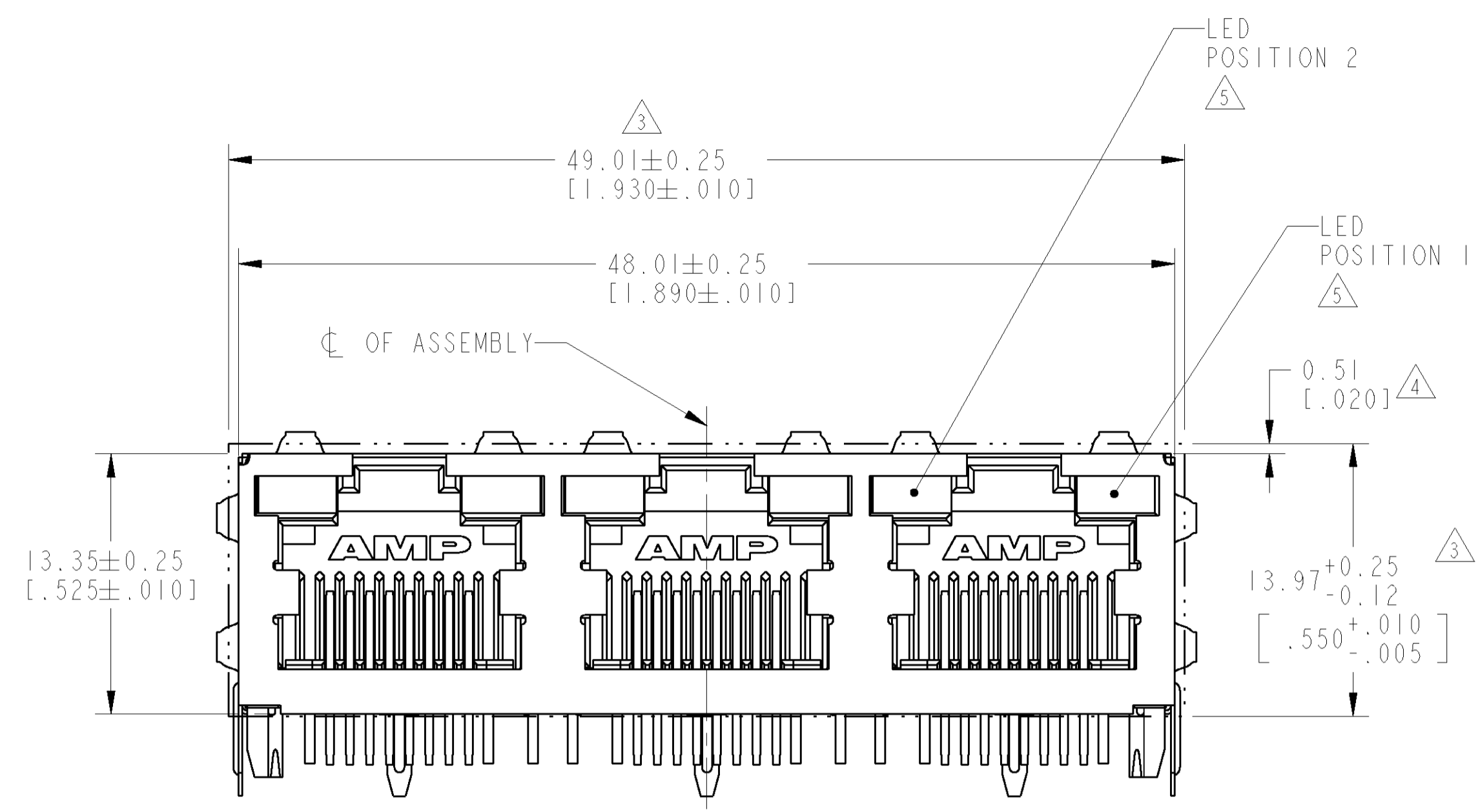
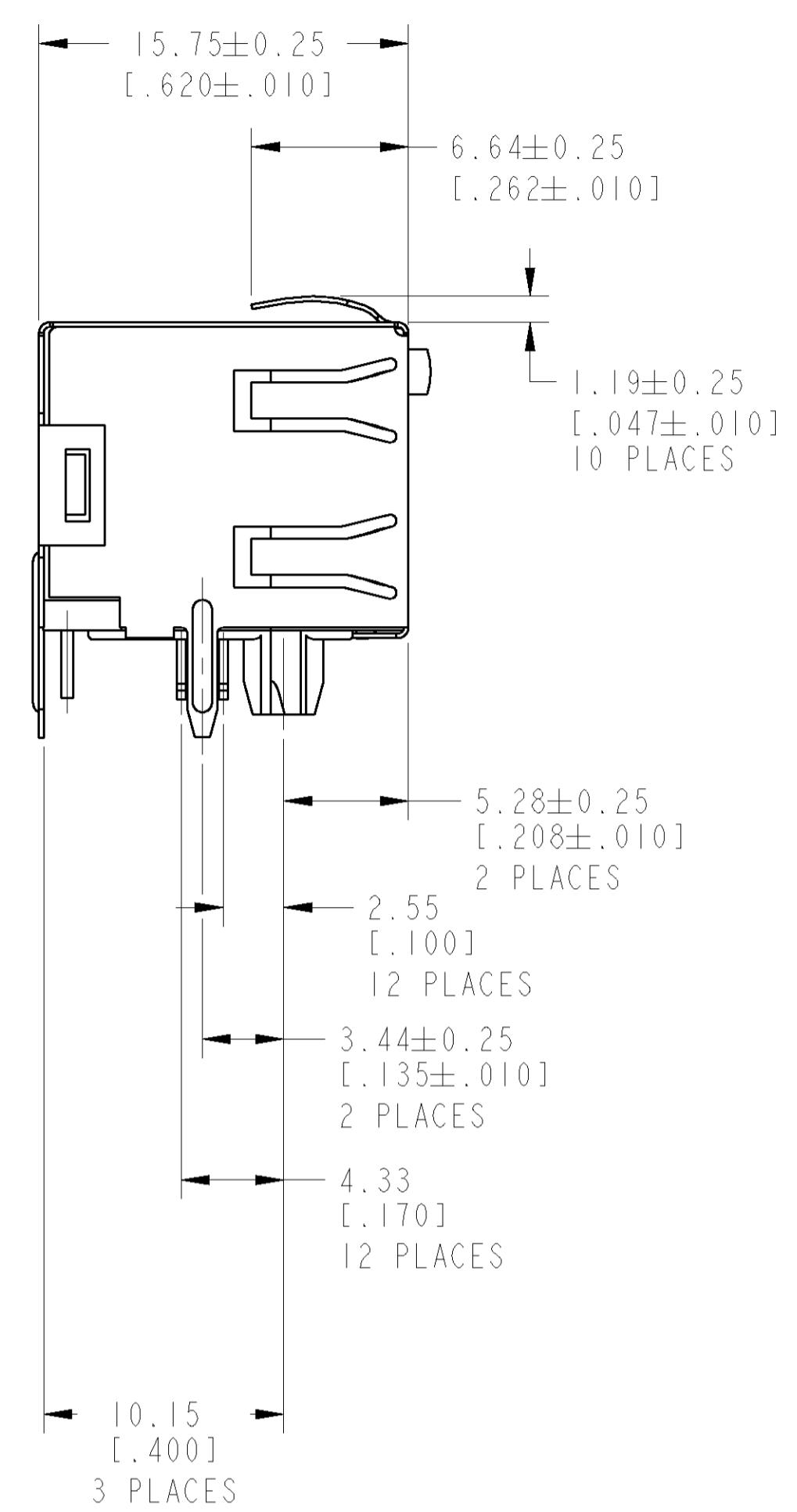
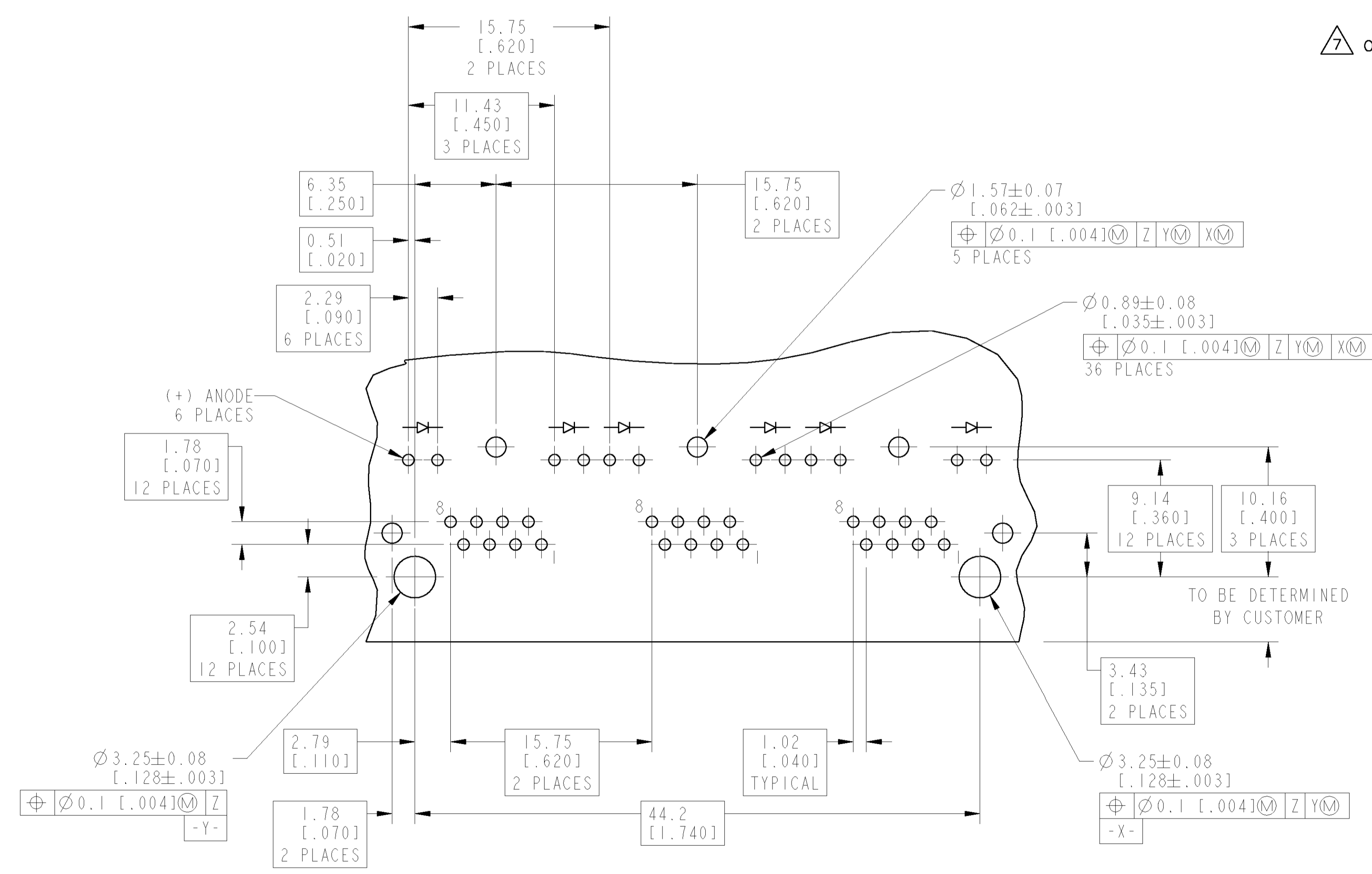


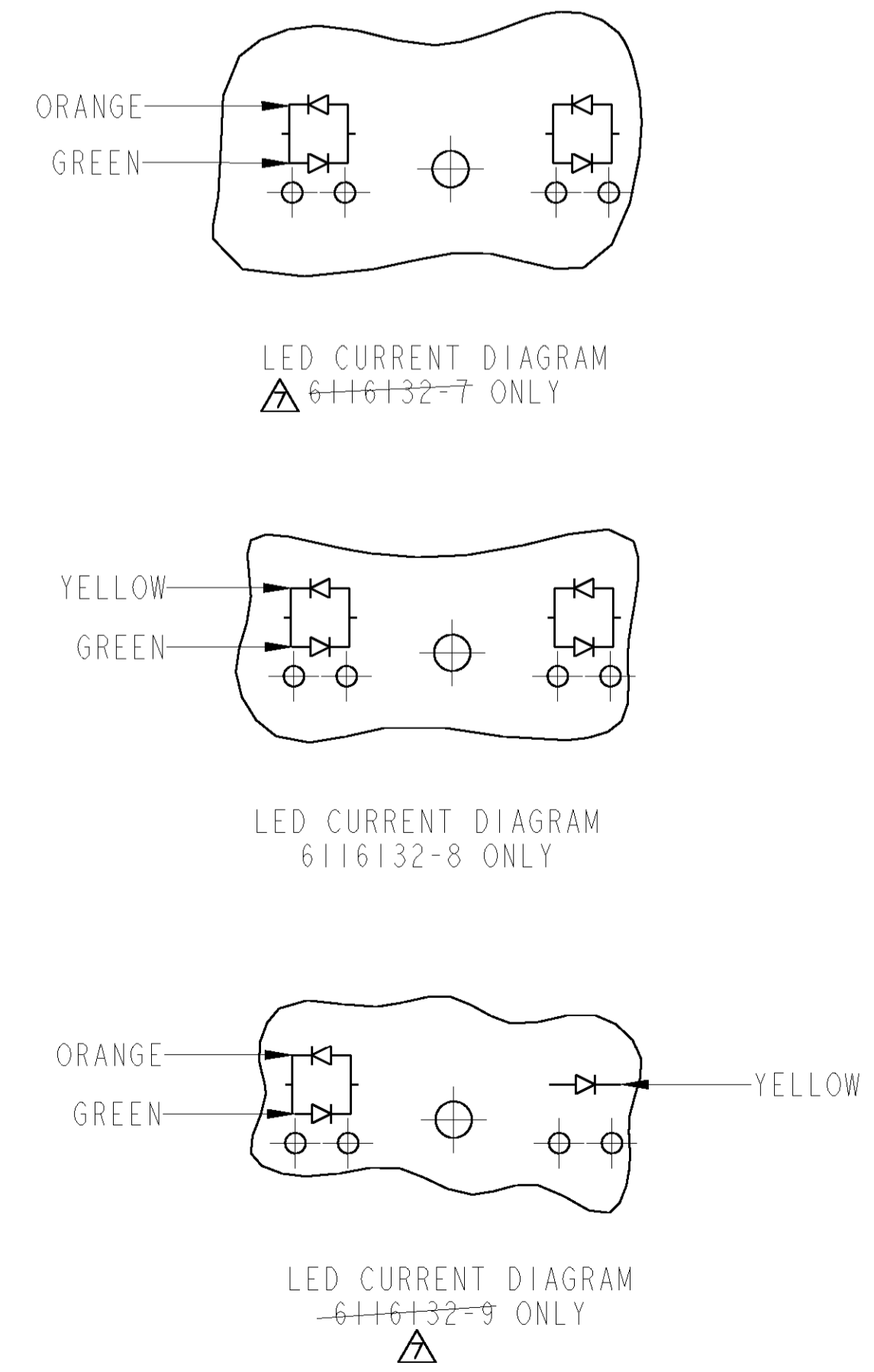
LOC	DIST	REVISIONS					
		P	LTR	DESCRIPTION	DATE	BY	APPD
AA	22	B		ECO-07-022186	20SEP107	LAM	JW
		B1		REVISED PER ECO-10-000445	11JAN10	KK	AEG



- MATERIAL: HOUSING - THERMOPLASTIC, BLACK, UL94V-0
 TERMINALS - .36[.014] THICK PHOSPHOR BRONZE PLATED WITH 3.81µm [.000150] MINIMUM THICK MATTE TIN IN SOLDER AREA, 1.27µm [.000050] MINIMUM GOLD IN LOCALIZED PLATE AREA. ENTIRE TERMINAL PLATED WITH 1.27µm [.000050] MINIMUM THICK NICKEL SHIELD - 0.196[.0077] THICK COPPER ZINC ALLOY, PREPLATED WITH 1.27µm [.000050] MINIMUM SATIN NICKEL WITH 2.03µm [.000080] MINIMUM TIN POST DIPPED ON PCB TABS
 LIGHT EMITTING DIODE (LED) - DIFFUSED EPOXY LENS 0.51 X 0.51 [.020 X .020] CARBON STEEL WIREFRAME LEADS PREPLATED WITH 1.02 µm [.000040] THICK Cu UNDERPLATE WITH 7.62 µm [.000300] THICK Sn OVER 2.03 µm [.000080] Ag OVER 1.02 µm [.000040] THICK Cu OVER 3.56 µm [.000140] THICK NICKEL
 - JACK CAVITY CONFORMS TO FCC RULES AND REGULATIONS PART 68, SUBPART F
- △3 SUGGESTED PANEL OPENING DIMENSIONS
 △4 SUGGESTED CLEARANCE BETWEEN TOP OF CONNECTOR AND TOP OF PANEL OPENING
 △5 SEE TABLE FOR COLOR OF LEDS AND NUMBER REQUIRED
 △ THIS MODULAR JACK WITH INTEREATED LED IS NOT IR REFLOW SOLDERING PROCESS COMPATIBLE
 △ OBSOLETE PARTS: OBSOLETE CIS STREAMLINING PER D.RENAUD/D.SINISI



SUGGESTED P.C.B. LAYOUT (COMPONENT SIDE)



INDICATOR COLOR	POSITION 2	POSITION 1	PART NUMBER
△ OBSOLETE	ORANGE/GREEN	YELLOW	6116132-9
	YELLOW/GREEN	YELLOW/GREEN	6116132-8
△ OBSOLETE	ORANGE/GREEN	ORANGE/GREEN	6116132-7
	YELLOW	YELLOW	6116132-6
	GREEN	GREEN	6116132-5
	GREEN	YELLOW	6116132-4
△ OBSOLETE	YELLOW	-	6116132-3
	-	GREEN	6116132-2
	YELLOW	GREEN	6116132-1

DIMENSIONS: mm [INCH]		TOLERANCES UNLESS OTHERWISE SPECIFIED:		DWN: D.J. AHERON / 2-MAY-05 CHK: J. WESTMAN / 08-JUNE-2005 APPD: S. FLICKINGER / 08-JUNE-2005		Tyco Electronics Harrisburg, PA 17105-3608	
0 PLC	±	0 PLC	±	NAME	INVERTED MODULAR JACK ASSEMBLY, 1 X 3, SHIELDED, PANEL GROUND TABS, LED		
1 PLC	±	1 PLC	±	PRODUCT SPEC	108-1163-4		
2 PLC	±	2 PLC	±	APPLICATION SPEC	114-2154		
3 PLC	±.125 (.005)	3 PLC	±.125 (.005)	SIZE	CAGE CODE	DRAWING NO	RESTRICTED TO
4 PLC	±	4 PLC	±	WEIGHT	A1100779	C=6116132	
ANGLES	±	ANGLES	±	CUSTOMER DRAWING	SCALE 4:1		SHEET 1 OF 1