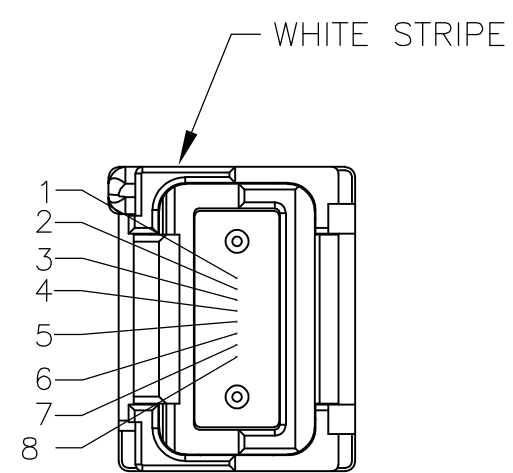
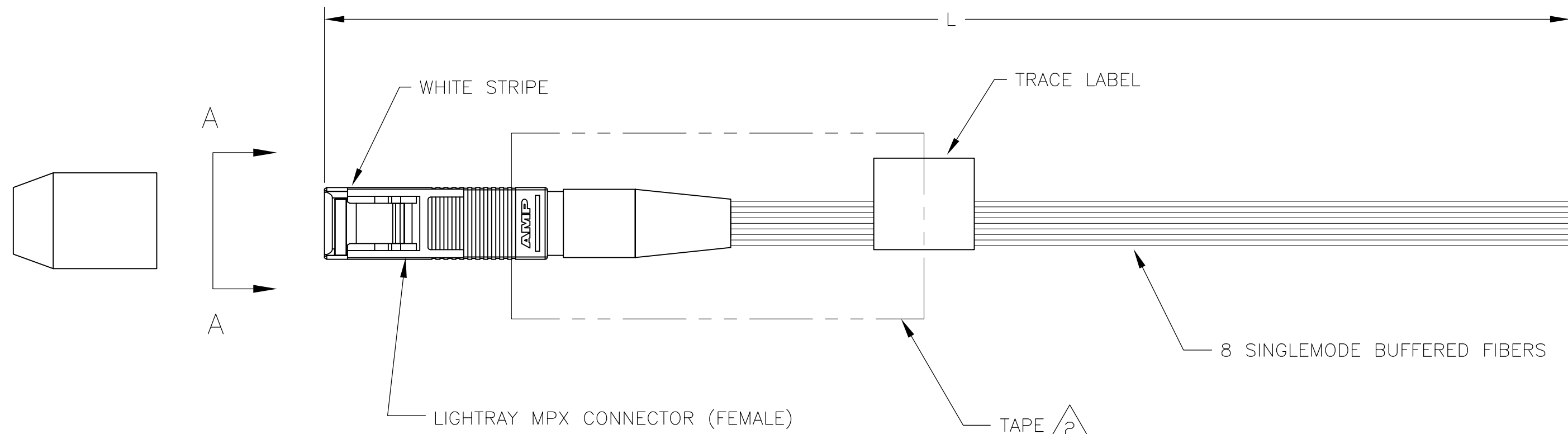


LOC	DIST	REVISIONS					
CE	17	P	LTR	DESCRIPTION	DATE	OWN	APVD
		B		REVISED PER ECR-07-021838	20SEP07	JWD	JB

1. MAXIMUM INSERTION LOSS: 0.5dB RANDOM MATE
2. PART SHIPPED WITH PIECE OF TAPE TO HOLD FIBER BUFFERS IN PLACE. TAPE TO BE REMOVED AFTER TERMINATING BUFFERED FIBER END OF ASSEMBLY.
3. PRODUCT AND PROCESSING MUST MEET REQUIREMENTS OF TYCO ELECTRONICS STANDARD 230-702



FIBER #	COLOR
1	BLUE
2	ORANGE
3	GREEN
4	BROWN
5	SLATE
6	WHITE
7	RED
8	BLACK

VIEW A-A
 LIGHTRAY MPX CONNECTOR FIBER PATH

1.00±0.05 [39.4±2.0]	6457174-1
L METERS [INCHES]	PART NUMBER

THIS DRAWING IS A CONTROLLED DOCUMENT.		DWN KATHY HE 10FEB06	Tyco Electronics Corporation Harrisburg, PA 17105-3608	
DIMENSIONS: METERS [INCHES]		CHK J. BARRY 10FEB06	NAME PIGTAIL, FIBER OPTIC, 8 BUFFERED FIBER CABLE SINGLEMODE, LIGHTRAY MPX (FEMALE)	
TOLERANCES UNLESS OTHERWISE SPECIFIED: 0 PLC ± - 1 PLC ± - 2 PLC ± - 3 PLC ± - 4 PLC ± - ANGLES ± -		APVD J. BARRY 10FEB06	PRODUCT SPEC APPLICATION SPEC	
MATERIAL	FINISH	WEIGHT	SIZE A2	CAGE CODE 00779
			DRAWING NO 6457174	RESTRICTED TO
CUSTOMER DRAWING			SCALE NTS	SHEET 1 OF 1
			REV B	