

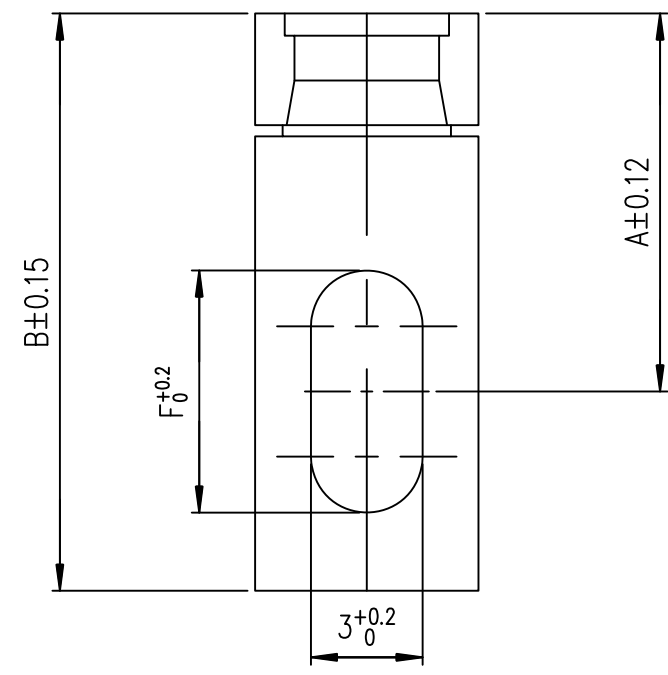
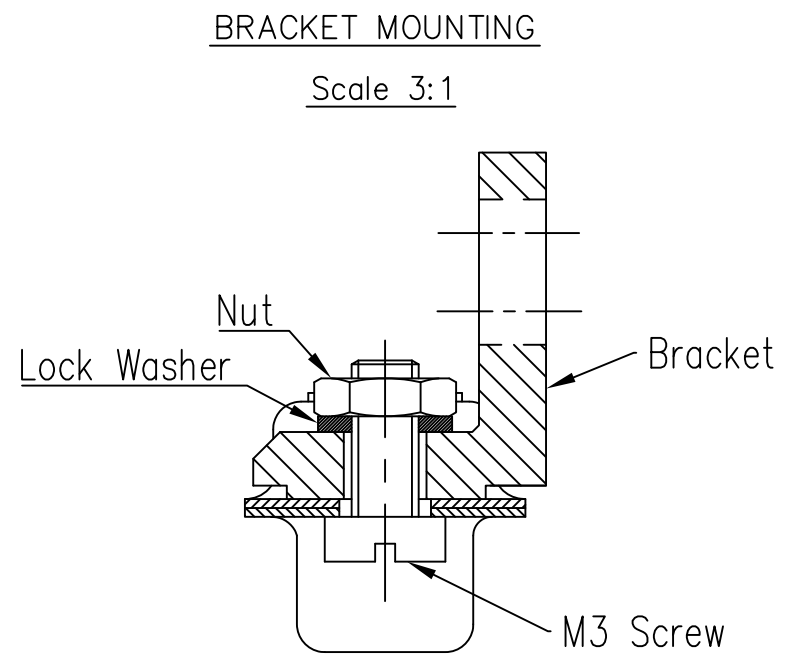
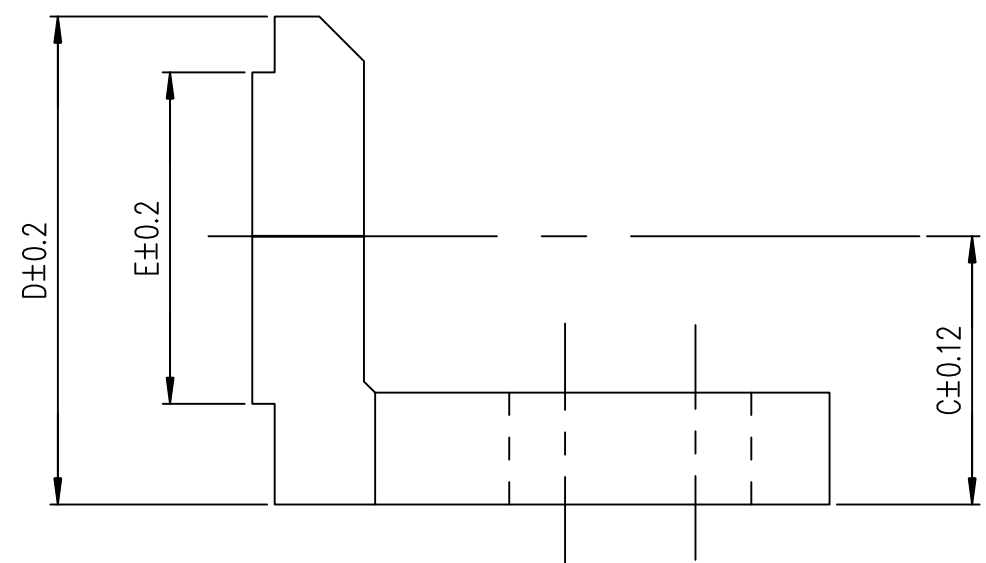
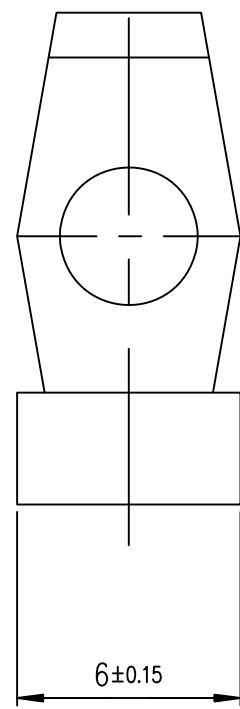
1

2 3

4

5

6



86303715	11.80	17.60	8.60	15.90	10.90	7.4	per 2 pieces
86303714	10.15	15.50	7.20	13.10	8.90	6.5	per 2 pieces
PART NUMBER	A	B	C	D	E	F	PACKAGING

\* Kit contains Bracket, Nut, Washer & Screw

mat'l. code		surface ISO 1302 ✓		tolerance ISO 406 ISO 1101		projection MM		product family D-SUB		
ltr	ecn no	dr	date	tolerances unless otherwise specified		title PLASTIC BRACKET WITH ACCESSORIES		sheet 1 of 1		
D	ELX-I-19934	MP	2015/01/09	angles	linear	scale 5:1		size A3		
				0°±2°	.0±0.1 .00±0.10 .000±0.100	FCJ		dwg no C01-8655-1558		
				dr	MITHUN PAUL	2015/01/09	type Product Customer Drawing			
				engr	MITHUN PAUL	2015/01/09				
				chr	ALIAS BABU	2015/01/09				
				appd	BIJU K PAUL	2015/01/09				
sheet index	revision sheet	D	1							



Copyright FCI