

Specification

Small Form Factor Pluggable

Simplex LC Receptacle – SFP BIDI

ONU - Bidirectional Optical Transceivers

1000BASE-BX10-U

1250Mbit/s




Ordering Information

T B S - S x C A 1 - F 1 1

Voltage / Temperature

1: 3.3V / +0°C ~ +70°C

2: 3.3V / -40°C ~ +85°C

| Model Name | Voltage | Category | Device type | Interface | SD/LOS | Temperature | Distance | Latch Color |
|---------------|---------|----------|-------------|---------------------|--------|-------------|----------|---|
| TBS-S1CA1-F11 | 3.3V | W/O DDMI | FP / PIN | AC / AC Coupling | LVTTTL | +0°C~+70°C | 10km | Blue |
| TBS-S2CA1-F11 | | | | | | -40°C~+85°C | |  |

Features

- ROHS Compliant
- Standard Small Form Factor Pluggable Package – SFP MSA Compliant
- IEEE802.3AH 1000BASE-BX10-U Compliant
- Laser Class 1 Product – IEC60825-1 Compliant
- Standard Simplex LC Receptacle Optical Interface
- Single Fiber and Full Duplex Solution – Integrated WDM Filter
- Single + 3.3 V Power Supply
- Differential LVPECL Data Input and Output
- LVTTTL Loss of Signal
- Serial ID through I²C Interface
- Low Power Consumption

Absolute Maximum Ratings

| Parameter | Symbol | Min | Typ | Max | Unit |
|-----------------------------|-----------------|-----|-----|-----------------|------|
| Storage temperature | T _S | -40 | -- | 85 | °C |
| Supply voltage | V _{CC} | 0 | -- | 4 | V |
| Operating Relative Humidity | -- | 5 | -- | 95 | % |
| Input voltage | V _{IN} | 0 | -- | V _{CC} | V |

Operating Conditions

| Parameter | Symbol | Min | Typ | Max | Unit |
|--|-----------------|-----|-----|-----|------|
| Supply Voltage | V _{CC} | 3.1 | 3.3 | 3.5 | V |
| Operating Case temperature (TBS-S1CA1-F11) | T _C | 0 | -- | 70 | °C |
| Operating Case temperature (TBS-S2CA1-F11) | | -40 | -- | 85 | |
| Total Current (Transmitter + Receiver) | I _{CC} | -- | -- | 250 | mA |

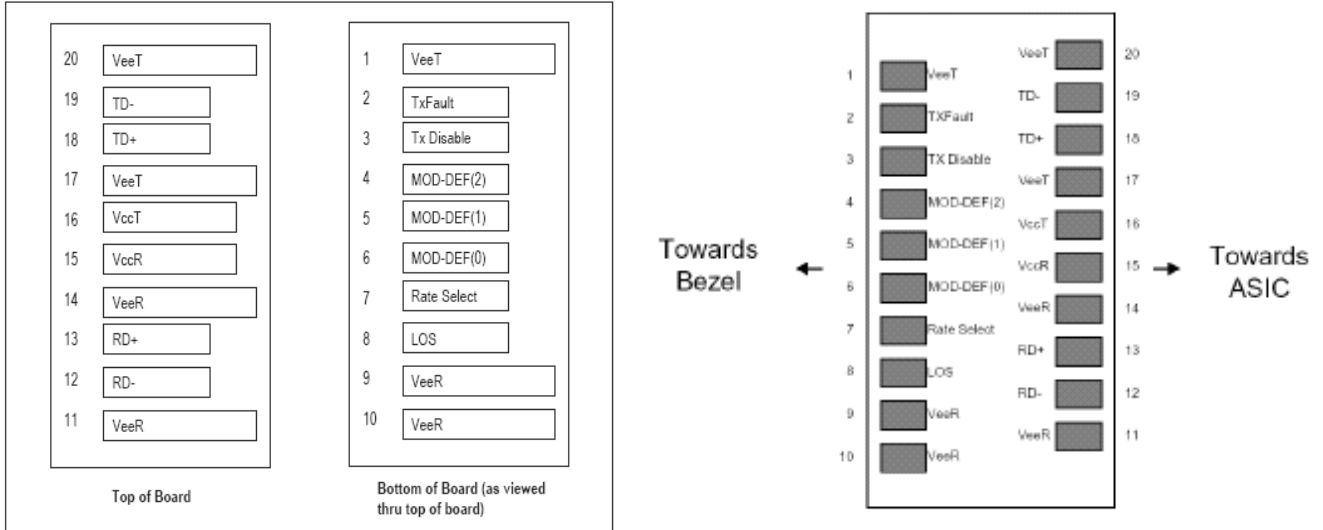
Transmitter Specifications ($V_{CC}=3.1V\sim 3.5V$; $T_C=0^{\circ}C\sim 70^{\circ}C$ / $T_C=-40^{\circ}C\sim 85^{\circ}C$)

| Parameter | Symbol | Min | Typ | Max | Unit |
|------------------------------------|------------------------------|---|------|--------------|-------|
| Optical Characteristics | | | | | |
| Output Optical Power | P_{out} | -9 | -- | -3 | dBm |
| Extinction Ratio | ER | 9 | -- | -- | dB |
| Center Wavelength | λ_C | 1260 | 1310 | 1360 | nm |
| Spectral Width (RMS) | σ | IEEE802.3AH 1000BASE-BX10-U Table 59-4 | | | nm |
| Rise/Fall time (20-80%) | $T_{r,f}$ | -- | -- | 260 | ps |
| Relative Intensity Noise | RIN | -- | -- | -120 | dB/Hz |
| Output Eye | Compliant with IEEE 802.3 AH | | | | |
| Max. P_{out} TX-DISABLE Asserted | P_{OFF} | -- | -- | -45 | dBm |
| Electrical Characteristics | | | | | |
| Differential Input Voltage | V_{DIFF} | 0.4 | -- | 2.0 | V |
| Tx_Disable_Input_High | V_{DISH} | 2.0 | -- | $V_{CC}+0.3$ | V |
| Tx_Disable_Input_Low | V_{DISL} | 0 | -- | 0.8 | V |
| Tx_Fault_Output_High | V_{FH} | 2.0 | -- | $V_{CC}+0.3$ | V |
| Tx_Fault_Output_Low | V_{FL} | 0 | -- | 0.8 | V |

Receiver Specifications ($V_{CC}=3.1V\sim 3.5V$; $T_C=0^{\circ}C\sim 70^{\circ}C$ / $T_C=-40^{\circ}C\sim 85^{\circ}C$)

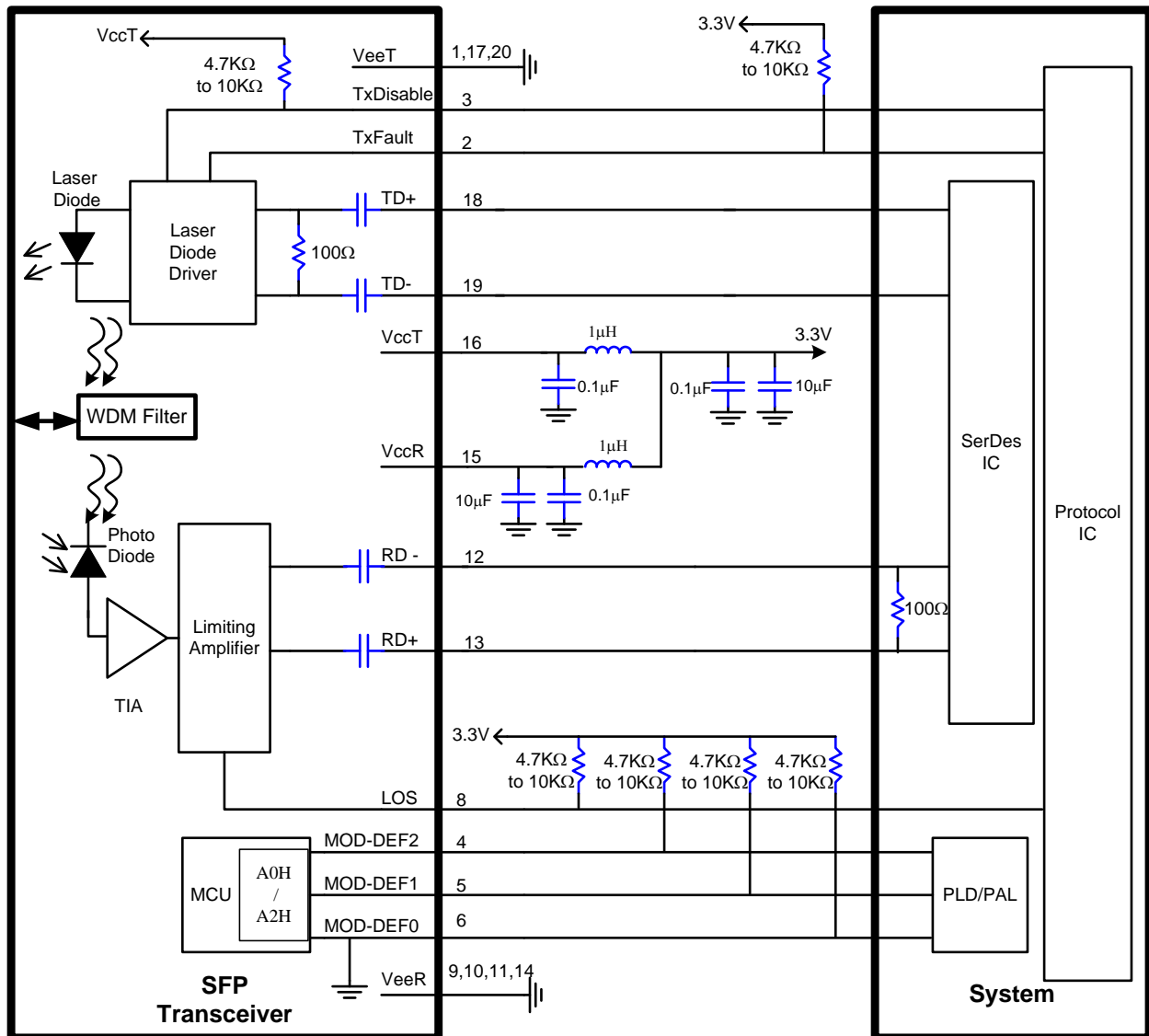
| Parameter | Symbol | Min | Typ | Max | Unit |
|--|-------------|------|-----|--------------|------|
| Optical Characteristics | | | | | |
| Optical Input Power-maximum | P_{SATIN} | -3 | -- | -- | dBm |
| Receiver Sensitivity (PRBS= 2^7-1 ; BER $\leq 10^{-12}$) | P_{SAN} | -- | -- | -21 | dBm |
| Operating Center Wavelength | λ_C | 1480 | -- | 1600 | nm |
| Optical Return Loss | ORL | 14 | -- | -- | dB |
| Loss of Signal – De-asserted | P_{LD} | -- | -- | -21 | dBm |
| Loss of Signal - Asserted | P_{LA} | -45 | -- | -- | dBm |
| Loss of Signal - Hysteresis | P_{LH} | 0.5 | -- | 6 | dB |
| Electrical Characteristics | | | | | |
| Differential Output Voltage | V_{DIFF} | 0.4 | -- | 2.0 | V |
| Receiver Loss of Signal Output Voltage -Low | V_{LOSL} | 0 | -- | 0.8 | V |
| Receiver Loss of Signal Output Voltage -High | V_{LOSH} | 2 | -- | $V_{CC}+0.3$ | V |

Pin Definition and Descriptions



| Pin | Name | Input/Output Level | Description |
|-----|-------------|--------------------|---|
| 1 | VeeT | Input | Transmitter ground |
| 2 | TXFault | Output/LVTTL | Laser failure indication. High level indicates "laser failure". Externally pulled up |
| 3 | TXDisable | Input/LVTTL | Transmitter disable, High signal/open disables TX laser output. Low level enables TX output, internally pulled up. |
| 4 | MOD-DEF(2) | Input/output | Module definition 2, SDA, Data line for I2C bus. Externally pulled up |
| 5 | MOD-DEF(1) | Input | Module definition 1, SCL, Clock for I2C bus. Externally pulled up |
| 6 | MOD-DEF(0) | Output | Module definition 0, Module present. Ground inside module. |
| 7 | Rate Select | - | No connection. |
| 8 | LOS | Output/LVTTL | Receiver loss of signal indication. Low signal indicates optical signal is present at RX input. Should be Externally pulled up. |
| 9 | VeeR | Input | Receiver ground |
| 10 | VeeR | Input | Receiver ground |
| 11 | VeeR | Input | Receiver ground |
| 12 | RD - | Output/CML | Inverted receiver data output (AC coupled) |
| 13 | RD + | Output/CML | Non-inverted receiver data output (AC coupled) |
| 14 | VeeR | Input | Receiver ground |
| 15 | VccR | Input | Receiver power supply |
| 16 | VccT | Input | Transmitter power supply |
| 17 | VeeT | Input | Transmitter ground |
| 18 | TD + | Input/LVPECL | Non-inverted transmitter data input (AC coupled) |
| 19 | TD - | Input/LVPECL | Inverted transmitter data input (AC coupled) |
| 20 | VeeT | Input | Transmitter ground |

Recommended Circuit Diagram



Content in 2-Wire Address A0H

| Address | HEX | Name of Field | Description |
|---------|---|--------------------------------------|---------------------------|
| 00 | 03 | Identifier | SFP |
| 01 | 04 | Extended Identifier | SFP |
| 02 | 07 | Connector type | LC |
| 03 | 00 | Infiniband Compliance Codes | Not compliant |
| 04 | 00 | SONET Compliance Codes | Not compliant |
| 05 | 00 | SONET Compliance Codes | Not compliant |
| 06 | 40 | Ethernet Compliance Codes | BASE-BX10 |
| 07 | 00 | Fiber Channel link length | Not compliant |
| 08 | 00 | Fiber Channel transmitter technology | Not compliant |
| 09 | 00 | Fiber Channel transmission media | Not compliant |
| 10 | 00 | Fiber Channel speed | Not compliant |
| 11 | 01 | Encoding codes: | 8B/10B |
| 12 | 0D | Nominal Bit Rate (units of 100Mbps) | 1300Mbps |
| 13 | 00 | Rate identifier | Unspecified |
| 14 | 0A | Link length supported for 9um fiber | 10 (units of km) |
| 15 | 64 | Link length supported for 9um fiber | 100 (units of 100m) |
| 16 | 00 | Link length supported for 50um,OM2 | N/A (units of 10m) |
| 17 | 00 | Link length supported for 62.5um,OM1 | N/A(units of 10m) |
| 18 | 00 | Link length supported for copper | N/A (units of 1m) |
| 19 | 00 | Link length supported for 50um,OM3 | N/A (units of 10m) |
| 20 ~ 35 | 46,4F,52,4D,45,52,49,43, ,41,4F,45,20,20,20,20,20 | Vendor Name | FORMERICA OE |
| 36 | 00 | Unallocated | |
| 37 ~ 39 | 00,00,00 | Vendor OUI | Unspecified |
| 40 ~ 55 | 54,42,53,2D,53,31(32),43,41,31, 2D,46,31,31,20,20,20 | Part Number | TBS-S1(2)CA1-F11 |
| 56 ~ 59 | 00,00,00,00 | Vendor Revision number | Unspecified |
| 60 ~ 61 | 05,1E | Laser Wavelength | 1310nm |
| 62 | 00 | Unallocated | |
| 63 | | CC_BASE: | Check sum of byte 0 ~ 62 |
| 64 | 00 | Options | |
| 65 | 1A | Options | TX-DIS, TX_FAULT, RX-LOS |
| 66 | 00 | Bit Rate, max. | Unspecified |
| 67 | 00 | Bit Rate, min. | Unspecified |
| 68 ~ 83 | Serial Number | Serial Number | |
| 84 ~ 89 | yy/mm/dd | Date Code | |
| 90 ~ 91 | 20,20 | Vendor specific lot code | Unspecified |
| 92 | 00 | Diagnostic Monitoring Type | W/O DDMI |
| 93 | 00 | Enhanced Options (soft) | Unallocated |
| 94 | 00 | SFF-8472 Compliance | Not Included |
| 95 | | CC_EXT | Check sum of byte 64 ~ 94 |
| 96~127 | | Vendor specific | |

Mechanical Outlines

(Unit : mm)

