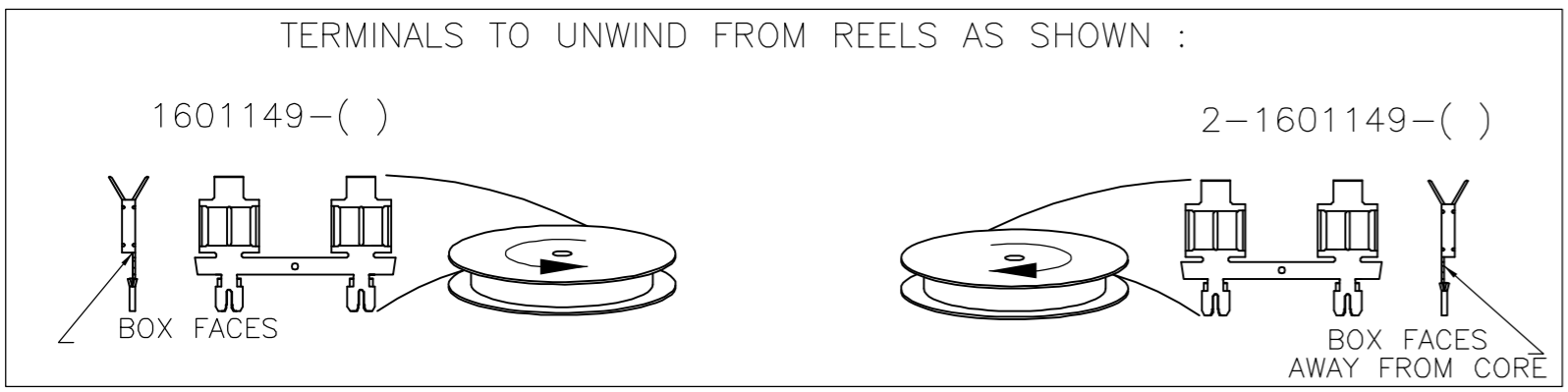
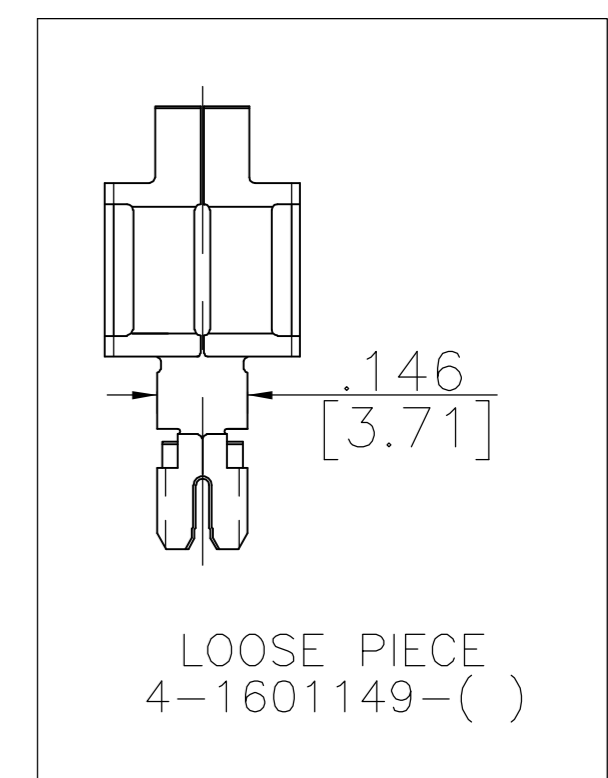
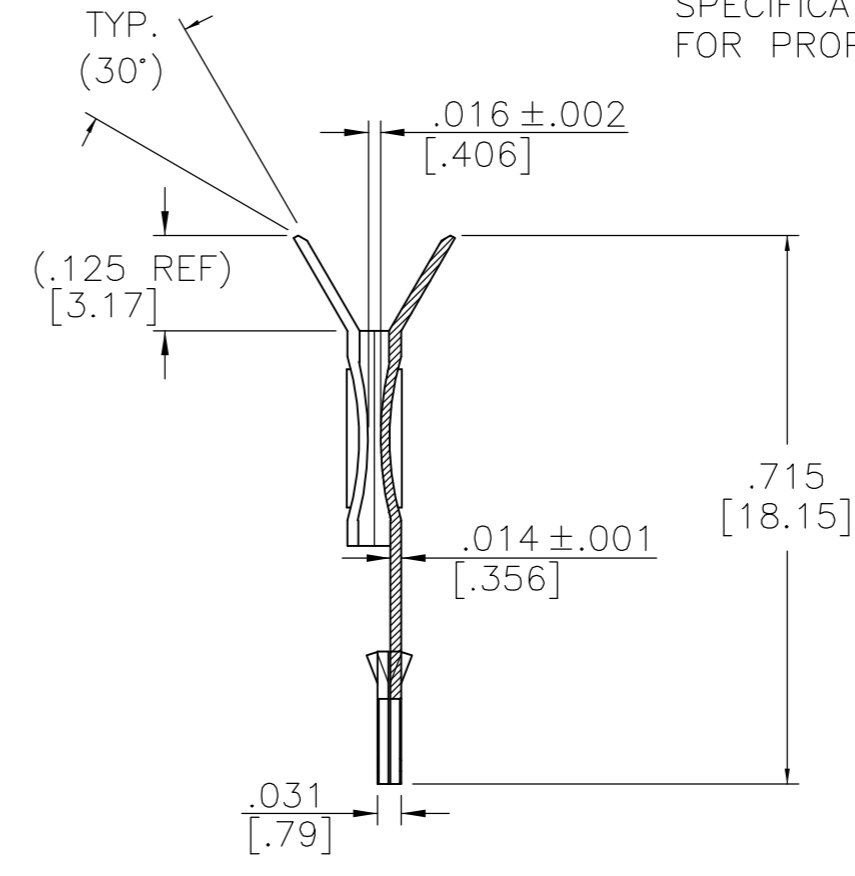
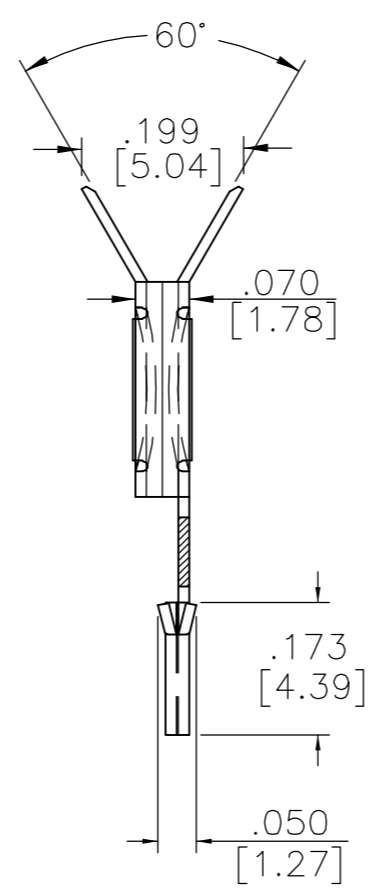
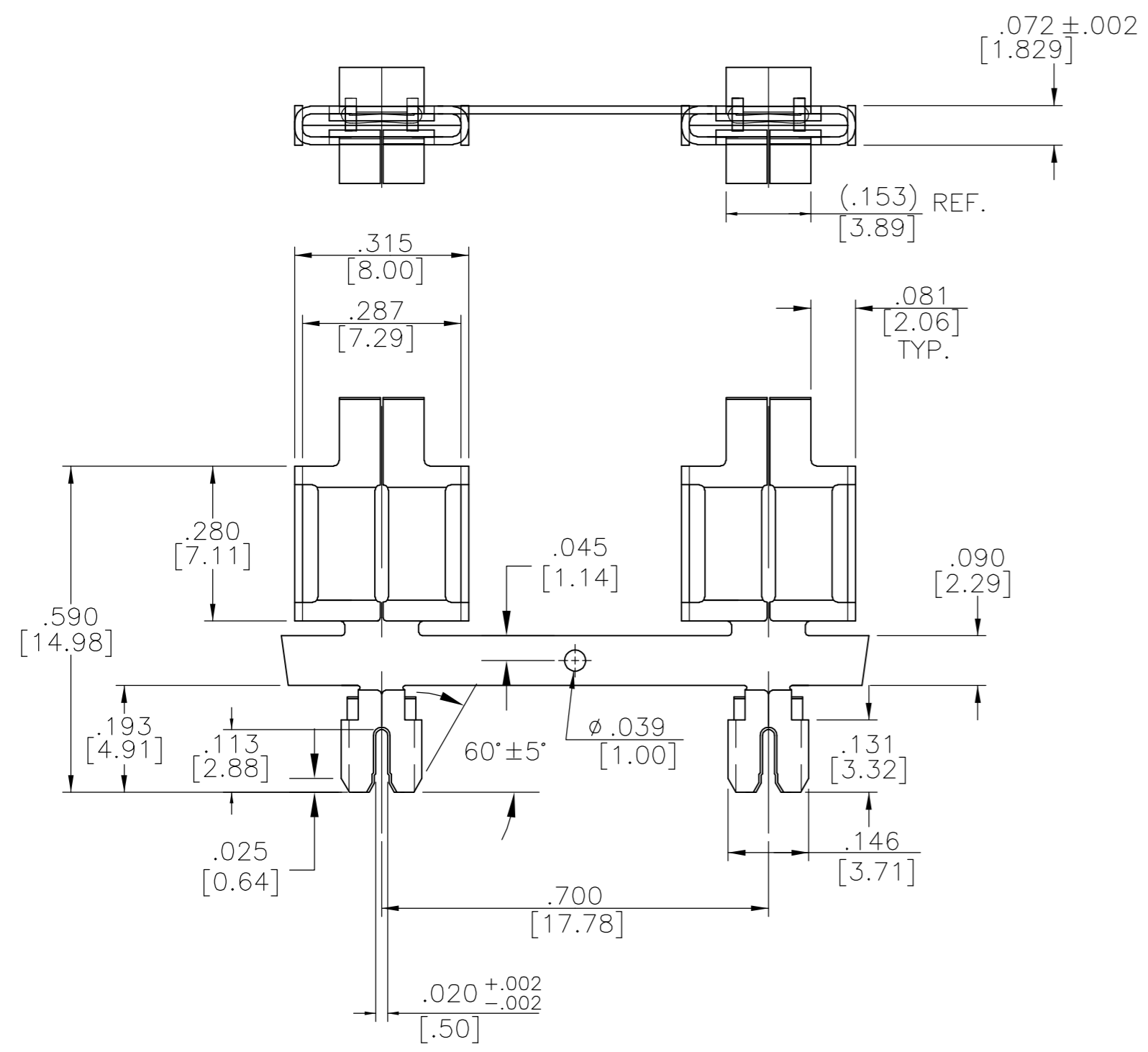


THIS DRAWING IS UNPUBLISHED. RELEASED FOR PUBLICATION  
 © COPYRIGHT BY TYCO ELECTRONICS CORPORATION. ALL RIGHTS RESERVED.

LOC		DIST		REVISIONS			
P	LTR	DESCRIPTION		DATE	DWN	APVD	
AF	50	E1	REVISED PER ECR-06-024761	25OCT06	HMR	GJ	

- NOTES
- Q.D. INSERT/WITHDRAW FORCE TO BE UL COMPATIBLE.
  - MATES WITH .020 X .250 (0.51 X 6.35mm) TAB.
  - FOR USE WITH #21.5 AWG.(0.71 mm) COPPER MAGNET WIRE.
  - TERMINALS SUPPLIED ON REELS, CAN BE SUPPLIED LOOSE PIECED,
  - POCKET RECOMMENDATION: 1601470
  - △ TERMINAL APPLICATION TO COMPLY WITH TYCO ELECTRONICS SPECIFICATION 114-13166. CONSULT PRODUCT ENGINEERING FOR PROPER INSERTION.



-	-	-
-	-	-
-	-	-
-	-	-
PRE-TIN PLATE OVER COPPER UNDERPLATE	159-020-014	2-1601149-2
PRE-TIN PLATE OVER COPPER UNDERPLATE	159-019-014	1601149-2
FINISH	REFERENCE PART NUMBER	TYCO PART NUMBER
THIS DRAWING IS A CONTROLLED DOCUMENT.	DWN J.WELLER 11JAN2002	Tyco Electronics Corporation Harrisburg, PA 17105-3608
DIMENSIONS: INCHES	CHK M.FEHER 11JAN2002	
TOLERANCES UNLESS OTHERWISE SPECIFIED:	APVD K.RANDOLPH 11JAN2002	
0 PLC ± -	PRODUCT SPEC	
1 PLC ± -	APPLICATION SPEC	NAME
2 PLC ± .01[0.25]	△ 6	.020 X .250 BLADE RECEPTACLE
3 PLC ± .005[0.13]		PRE-SIZED SIAMEZE TERMINAL
4 PLC ± -		SIZE CAGE CODE DRAWING NO RESTRICTED TO
ANGLES ± 2°		A2 00779 C=1601149
MATERIAL BRASS, 3/4 HARD	FINISH SEE TABLE	WEIGHT - SCALE 4:1 SHEET 1 OF 1 REV E1
		CUSTOMER DRAWING