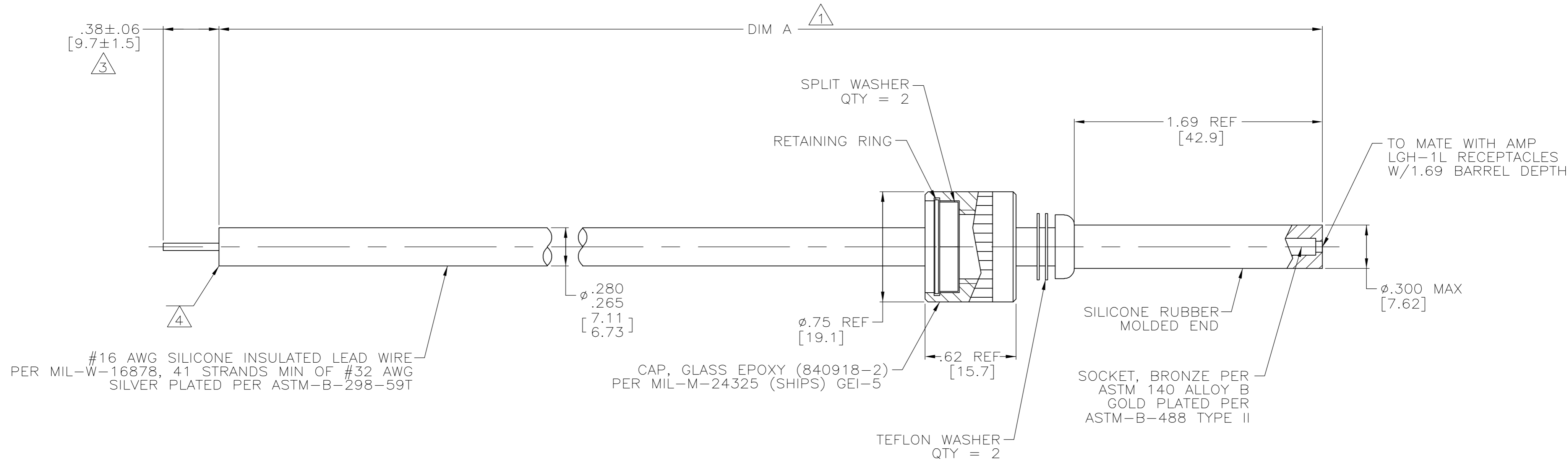


THIS DRAWING IS UNPUBLISHED. RELEASED FOR PUBLICATION - .N/A .
 © COPYRIGHT N/A BY TYCO ELECTRONICS CORPORATION. ALL RIGHTS RESERVED.

LOC	DIST	REVISIONS					
DF	S5	P	LTR	DESCRIPTION	DATE	DWN	APVD
		G		REV PER ECO-05-002582	06-05	AA	DE

PART NUMBER	DIM A	REMARKS
849310-1	12.00 [304.8]	OBSOLETE
849310-2	18.30 [464.8]	OBSOLETE
849310-3	23.80 [604.5]	③
849310-4	28.00 [711.2]	③
849310-5	39.00 [990.6]	③
849310-6	26.00 [660.4]	③
849310-7	25.00 [635.0]	OBSOLETE
5-849310-3	23.80 [604.5]	④

- ① TOLERANCE OF LEAD LENGTH:
UP TO 24 INCHES [609.6] = ±.12 [3.0]
24 INCHES [609.6] & UP = 1%
- ② COLOR OF LEAD WIRE:
WHITE UNLESS OTHERWISE SPECIFIED.
- ③ PIGTAIL SOLDER DIPPED.
- ④ INSULATION CUT TO LENGTH, BUT NOT REMOVED.



THIS DRAWING IS A CONTROLLED DOCUMENT.		DWN DICK STONE 19-APR-78	Tyco Electronics Corporation Harrisburg, Pa 17105-3608																			
DIMENSIONS: INCHES		CHK J.W.SHAW 05-FEB-81																				
TOLERANCES UNLESS OTHERWISE SPECIFIED:		APVD J.W.SHAW 05-FEB-81	NAME LEAD ASSEMBLY, SINGLE MOLDED END LGH-1L W/REMOVABLE CAP																			
<table border="0"> <tr><td>0 PLC</td><td>±</td><td>-</td></tr> <tr><td>1 PLC</td><td>±</td><td>-</td></tr> <tr><td>2 PLC</td><td>±</td><td>.04</td></tr> <tr><td>3 PLC</td><td>±</td><td>.015</td></tr> <tr><td>4 PLC</td><td>±</td><td>-</td></tr> <tr><td>ANGLES</td><td>±</td><td>-</td></tr> </table>		0 PLC	±	-	1 PLC	±	-	2 PLC	±	.04	3 PLC	±	.015	4 PLC	±	-	ANGLES	±	-	PRODUCT SPEC APPLICATION SPEC	SIZE A2	CAGE CODE 00779
0 PLC	±	-																				
1 PLC	±	-																				
2 PLC	±	.04																				
3 PLC	±	.015																				
4 PLC	±	-																				
ANGLES	±	-																				
MATERIAL SEE CALLOUTS		FINISH SEE CALLOUTS	WEIGHT -	DRAWING NO C=849310																		
		CUSTOMER DRAWING	SCALE 2:1	SHEET 1 OF 1																		
			REV G	RESTRICTED TO -																		